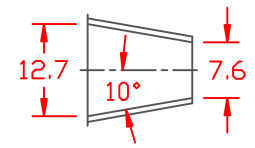
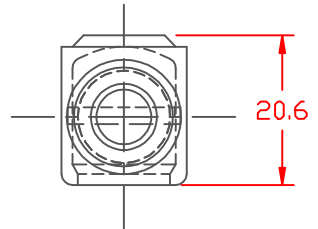
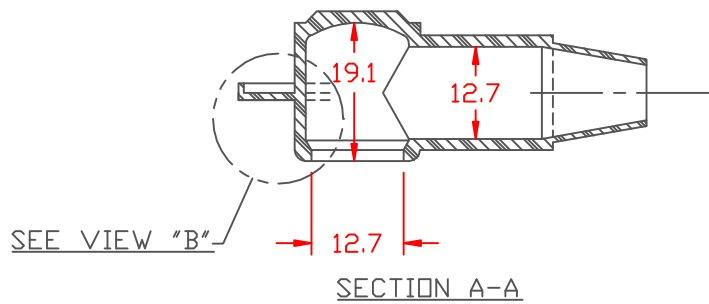


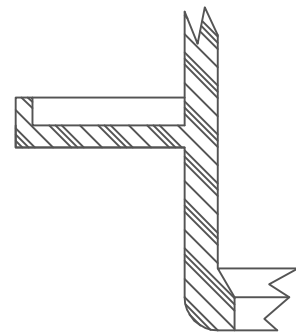
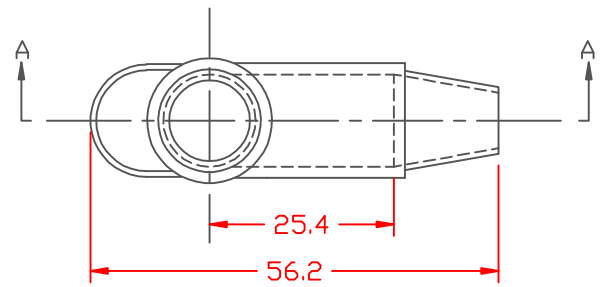
PROPRIETARY RIGHTS ARE CLAIMED FOR THE MATERIAL DISCLOSED IN THIS DRAWING.

LTR.	REVISIONS	DATE
✳	*****	00-00-98

SEAL OPTIONS
SEAL THICKNESS = .8



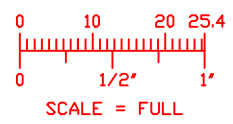
TYP. WALL THICKNESS = 1.5
SEAL NO. 2 SHOWN



NO. 2
Cable Gages
8 - 2

VIEW "B" TOLERANCE UNLESS OTHERWISE SPECIFIED: ±.030"/±0.8mm
SCALE: 3" = 1" RADIAL DIAMETERS TO BE MEASURED OVER MANDRELS, RING GAGES OR PIN GAGES OF SUITABLE SIZE

VTE Material Part No:	1101650102
Material:	RED PVC
Material Part No:	9812-65-RED683
Max. Operating Temp:	105 C
Shore Durometer:	"A" 10 SEC. 67/62
Specific Gravity:	1.34
Ult. Elongation %:	475
Brittle Temp:	-44 C
Tensile Strength PSI:	1547 PSI
Dielectric Strength, v./ml:	540
U.L. Rating:	94 V2
MEETS:	FMVSS.302





VTE Incorporated

5437 Robinson Road, P.O. Box 790
Pellston, Michigan 49769
Telephone: 1-800-527-9256, 231-539-8000
FAX: 231-539-0914

REF:	DATE:	DRN BY:	WEIGHT:
	10-5-93	JC	.013 LBS. / 5.90 G.
TITLE: TERMINAL INSULATOR CAP		CHK'D BY:	
MATERIAL:		PART NO.	
COLOR:		214N2V02	
DRG CLASS			