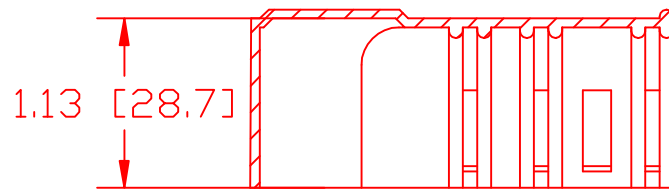
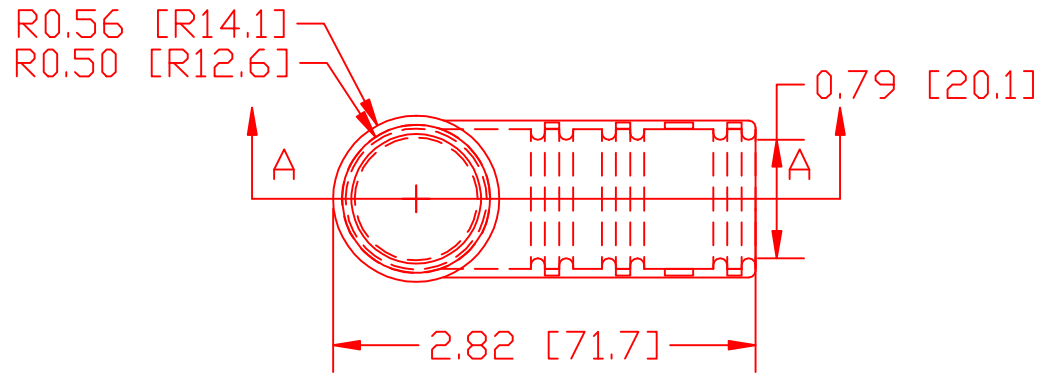
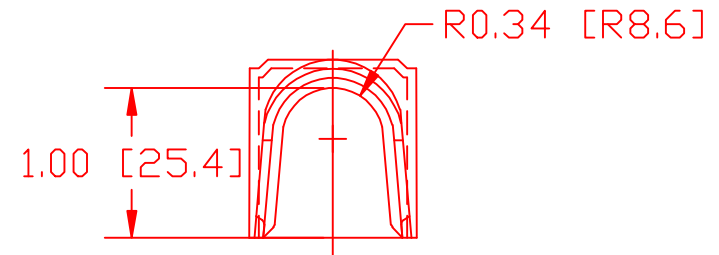


THE INFORMATION CONTAINED IN THIS DRAWING IS THE SOLE PROPERTY OF VTE INCORPORATED. ANY REPRODUCTION IN PART OR WHOLE WITHOUT THE WRITTEN PERMISSION OF VTE INCORPORATED IS PROHIBITED.

LTR.	REVISIONS	DATE
≠	*****	00-00-98




SECTION A-A



MATERIAL: HALOGEN FREE, FIRE RETARDANT THERMOPLASTIC OLEFIN
ELONGATION: 200%
MEETS: U.L. 94-V2
LIMITING OXYGEN INDEX: 37%
SPECIFIC GRAVITY: 1.05 - 1.10
MINIMUM TENSILE STRENGTH: 1500 PSI
COLOR: RED

TOLERANCE UNLESS OTHERWISE SPECIFIED: ±.030"/±0.8mm
 RADIAL DIAMETERS TO BE MEASURED OVER MANDRELS,
 RING GAGES OR PIN GAGES OF SUITABLE SIZE

	VTE Incorporated 5437 Robinson Road, P.O. Box 790 Pellston, Michigan 49769 Telephone: 1-800-527-9256, 231-539-8000 FAX: 231-539-0914		
	REF: *****	DATE: 00-00-98	DRN BY: BRH CHK'D BY: BRH

TITLE: TUNNEL CAP TERMINAL COVER		SCALE:
----------------------------------	--	--------

MATERIAL:	DRG CLASS: *****	PART NO. 224T9H02
COLOR: *****		

