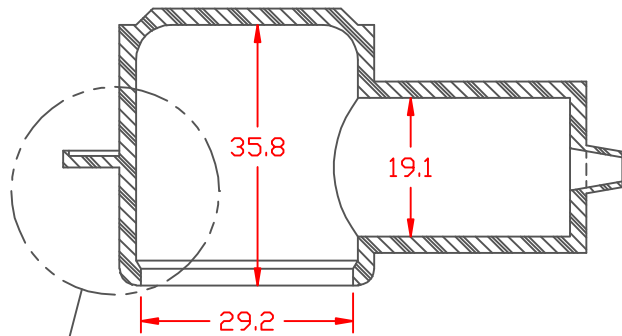


PROPRIETARY RIGHTS ARE CLAIMED FOR THE MATERIAL DISCLOSED IN THIS DRAWING.

TYP. WALL THICKNESS = 2.3

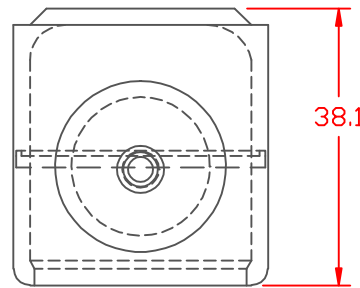
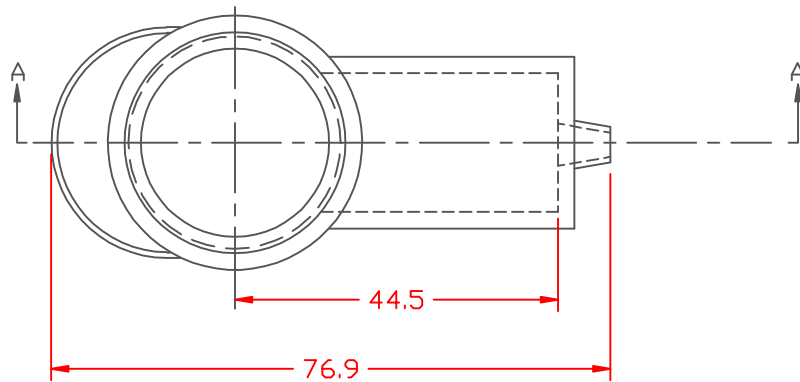
SEAL NO. 1 SHOWN

LTR.	REVISIONS	DATE
✳	*****	00-00-98



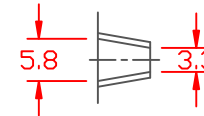
SEE VIEW "B"

SECTION A-A

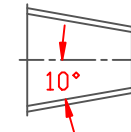


SEAL OPTIONS

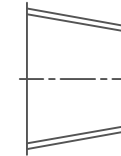
SEAL THICKNESS = .8



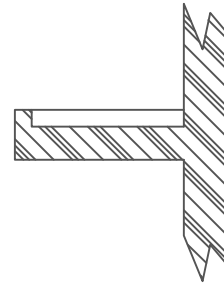
NO. 1
Wire Gages
18 - 10



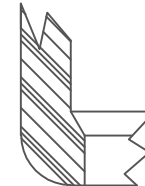
NO. 2
Cable Gages
8 - 2



NO. 3
Cable Gages
2 - 2/0

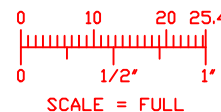



VIEW "B"
SCALE: 3" = 1"



TOLERANCE UNLESS OTHERWISE SPECIFIED: ±.030"/±0.8mm
RADIAL DIAMETERS TO BE MEASURED OVER MANDRELS,
RING GAGES OR PIN GAGES OF SUITABLE SIZE

VTE Material Part No:	1101650102
Material:	RED PVC
Material Part No:	9812-65-RED683
Max. Operating Temp:	105 C
Shore Durometer:	"A" 10 SEC. 67/62
Specific Gravity:	1.34
Ult. Elongation %:	475
Brittle Temp:	-44 C
Tensile Strength PSI:	1547 PSI
Dielectric Strength, v./ml:	540
U.L. Rating:	94 V2
MEETS:	FMVSS.302





VTE Incorporated
 5437 Robinson Road, P.O. Box 790
 Pellston, Michigan 49769
 Telephone: 1-800-527-9256, 231-539-8000
 FAX: 231-539-0914

REF:	DATE: 3-24-98	DRN BY: JC CHK'D BY:	WEIGHT: .045 LBS. / 20.5 G.
TITLE: TERMINAL INSULATOR CAP			PART NO. 230N1V02
MATERIAL:	DRG CLASS		