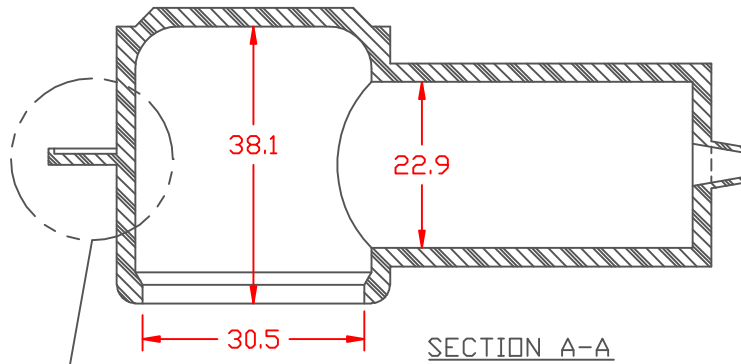


PROPRIETARY RIGHTS ARE CLAIMED FOR THE MATERIAL DISCLOSED IN THIS DRAWING.

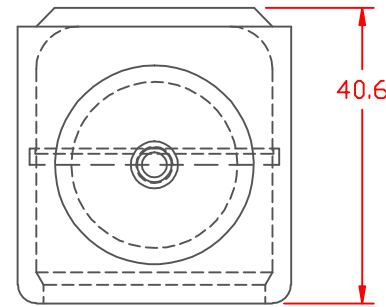
TYP. WALL THICKNESS = 2.5

LTR.	REVISIONS	DATE
✂	*****	00-00-98



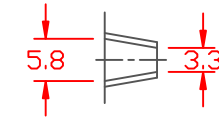
SECTION A-A

SEAL NO. 1 SHOWN

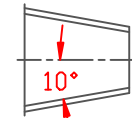


SEAL OPTIONS

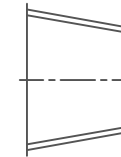
SEAL THICKNESS = .8



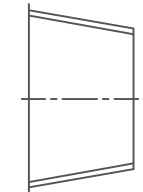
NO. 1
Wire Gages
18 - 10



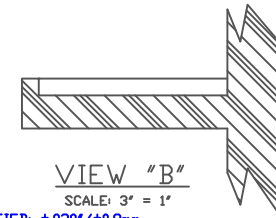
NO. 2
Cable Gages
8 - 2



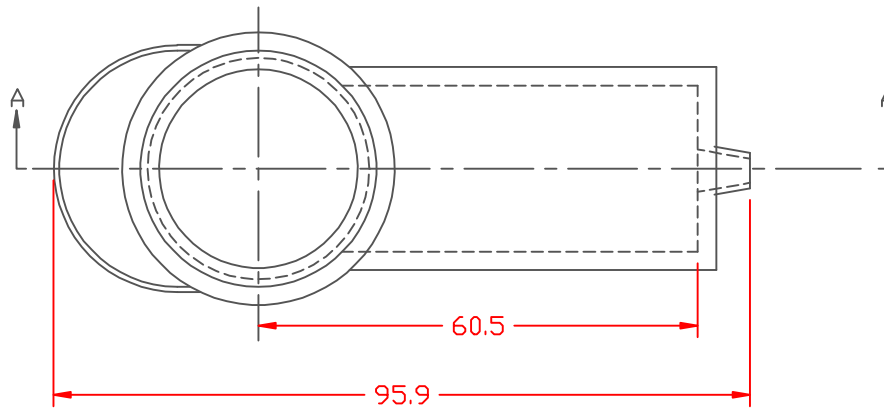
NO. 3
Cable Gages
2 - 2/0



NO. 4
Cable Gages
2/0 - 4/0

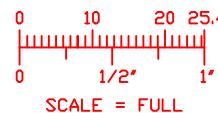


VIEW "B"
SCALE: 3" = 1"



TOLERANCE UNLESS OTHERWISE SPECIFIED: ±.030"/±0.8mm
RADIAL DIAMETERS TO BE MEASURED OVER MANDRELS, RING GAGES
OR PIN GAGES OF SUITABLE SIZE

VTE Material Part No:	1101650102
Material:	RED PVC
Material Part No:	9812-65-RED683
Max. Operating Temp:	105 C
Shore Durometer:	"A" 10 SEC. 67/62
Specific Gravity:	1.34
Ult. Elongation %:	475
Brittle Temp:	-44 C
Tensile Strength PSI:	1547 PSI
Dielectric Strength, v./ml:	540
U.L. Rating:	94 V2
MEETS:	FMVSS.302



VTE Incorporated
 5437 Robinson Road, P.O. Box 790
 Pellston, Michigan 49769
 Telephone: 1-800-527-9256, 231-539-8000
 FAX: 231-539-0914

REF:	DATE:	DRN BY:	WEIGHT:
	3-25-98	JC	068 LBS. / 30.7 G.
TITLE: TERMINAL INSULATOR CAP		CHK'D BY:	
MATERIAL:		PART NO.	
COLOR:		232E1V02	
DRG CLASS			