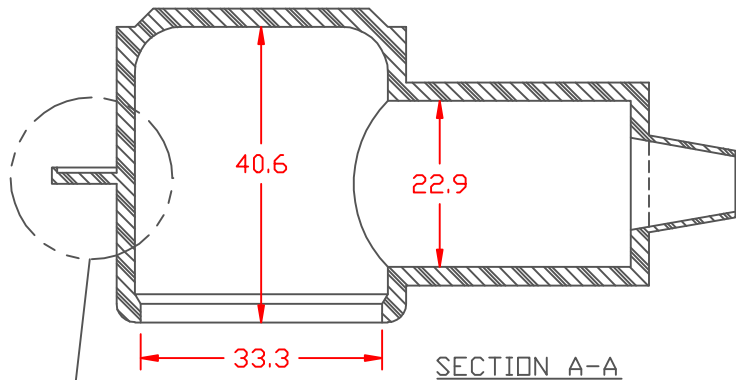


PROPRIETARY RIGHTS ARE CLAIMED FOR THE MATERIAL DISCLOSED IN THIS DRAWING.

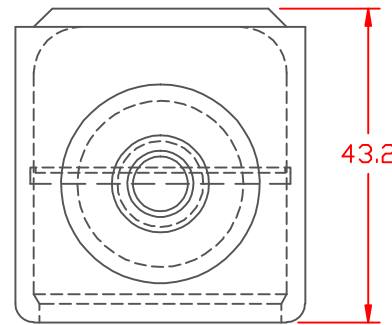
TYP. WALL THICKNESS = 2.5

LTR.	REVISIONS	DATE
✳	*****	00-00-98

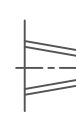


SECTION A-A

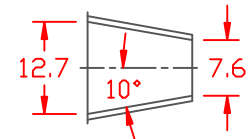
SEAL NO. 2 SHOWN



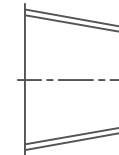
SEAL OPTIONS  
SEAL THICKNESS = .8



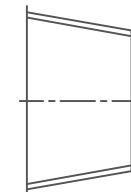
NO. 1  
Wire Gages  
18 - 10



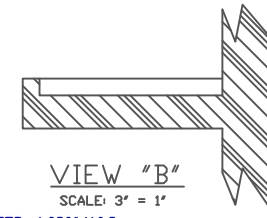
NO. 2  
Cable Gages  
8 - 2



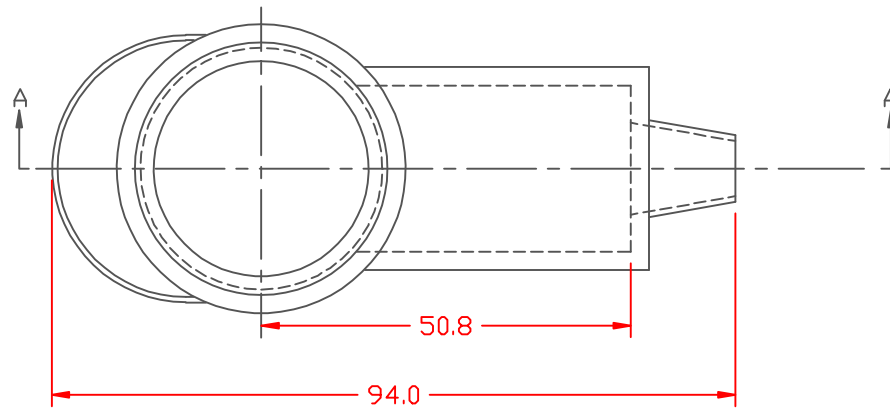
NO. 3  
Cable Gages  
2 - 2/0



NO. 4  
Cable Gages  
2/0 - 4/0




VIEW "B"  
SCALE: 3" = 1"



TOLERANCE UNLESS OTHERWISE SPECIFIED:  $\pm 0.030"/\pm 0.8mm$   
RADIAL DIAMETERS TO BE MEASURED OVER MANDRELS, RING GAGES  
OR PIN GAGES OF SUITABLE SIZE

VTE Material Part No:	1101650102
Material:	RED PVC
Material Part No:	9812-65-RED683
Max. Operating Temp:	105 C
Shore Durometer:	"A" 10 SEC. 67/62
Specific Gravity:	1.34
Ult. Elongation %:	475
Brittle Temp:	-44 C
Tensile Strength PSI:	1547 PSI
Dielectric Strength, v./ml:	540
U.L. Rating:	94 V2
MEETS:	FMVSS.302



		<b>VTE Incorporated</b> 5437 Robinson Road, P.O. Box 790 Pellston, Michigan 49769 Telephone: 1-800-527-9256, 231-539-8000 FAX: 231-539-0914	
		REF:	DATE:
	3-25-98	JC	067 LBS. / 30.2 G.
TITLE: TERMINAL INSULATOR CAP		PART NO.	
MATERIAL:		234N2V02	
COLOR:	DRG CLASS		