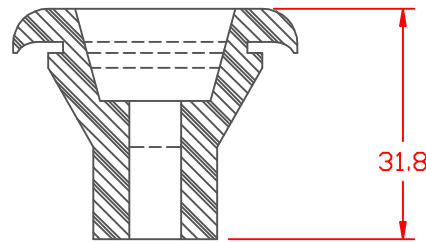
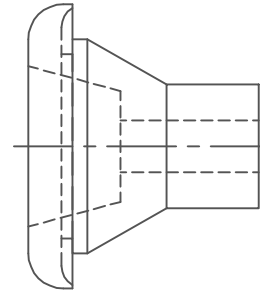
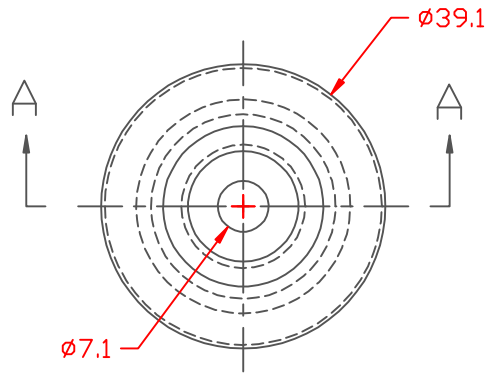


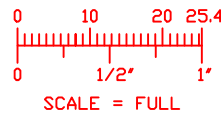
PROPRIETARY RIGHTS ARE CLAIMED FOR THE MATERIAL DISCLOSED IN THIS DRAWING.

| | | |
|------|-----------|----------|
| LTR. | REVISIONS | DATE |
| ✳ | ***** | 00-00-98 |




SECTION A-A

VTE Material Part No: 1101650102
 Material: RED PVC
 Material Part No: 9812-65-RED683
 Max. Operating Temp: 105 C
 Shore Durometer: "A" 10 SEC. 67/62
 Specific Gravity: 1.34
 Ult. Elongation %: 475
 Brittle Temp: -44 C
 Tensile Strength PSI: 1547 PSI
 Dielectric Strength, v./ml: 540
 U.L. Rating: 94 V2
 MEETS: FMVSS.302



TOLERANCE UNLESS OTHERWISE SPECIFIED: ±.030"/±0.8mm
 RADIAL DIAMETERS TO BE MEASURED OVER MANDRELS,
 RING GAGES OR PIN GAGES OF SUITABLE SIZE

| | | | |
|---|--------|---|---------------|
|  | | VTE Incorporated 5437 Robinson Road, P.O. Box 790 Pellston, Michigan 49769 Telephone: 1-800-527-9256, 231-539-8000 FAX: 231-539-0914 | |
| | | REF: | DATE: 3-25-98 |
| TITLE: GROMMET, WIRING 1" DIA. HOLE | | PART NO. 310N6 V02 | |
| MATERIAL: | COLOR: | DRG CLASS | |