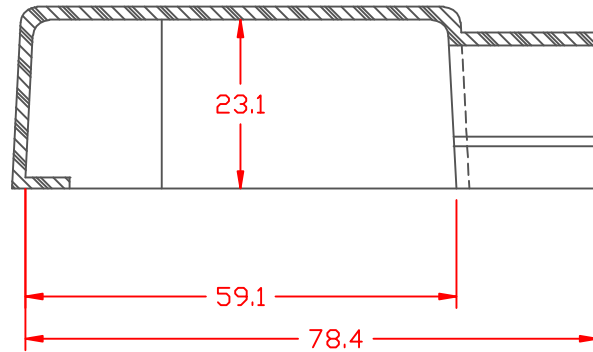
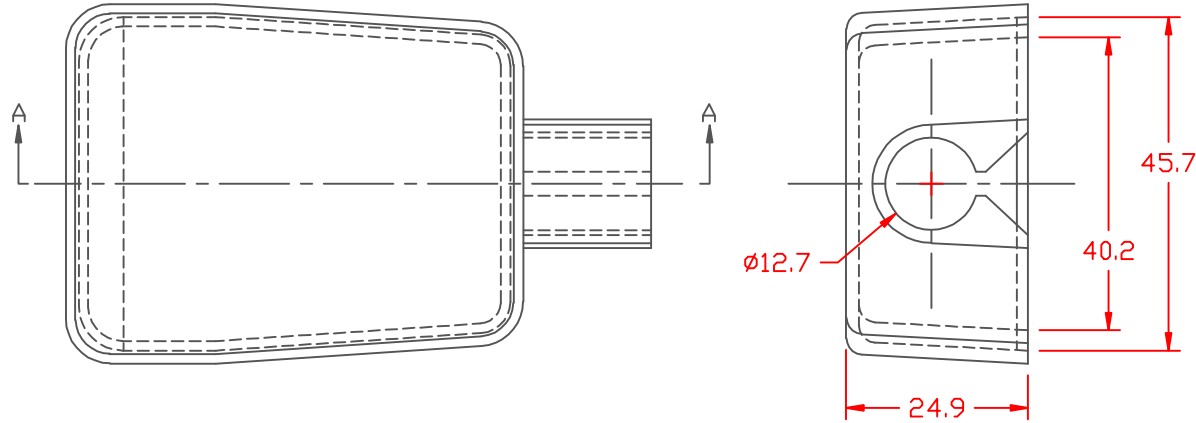


PROPRIETARY RIGHTS ARE CLAIMED FOR THE MATERIAL DISCLOSED IN THIS DRAWING.

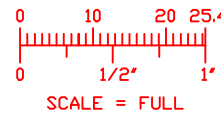
TYP. WALL THICKNESS = 1.8

LTR.	REVISIONS	DATE
✖	*****	00-00-98



SECTION A-A

VTE Material Part No: 1101600302
 Material: RED PVC
 Material Part No: M105-95 RD
 Shore Durometer: "A" 10 SEC. 98/92
 Specific Gravity: 1.42
 Ult. Elongation %: 217
 Tensile Strength PSI: 2123
 U.L. Rating: 94 V2



TOLERANCE UNLESS OTHERWISE SPECIFIED: ±.030"/±0.8mm
 RADIAL DIAMETERS TO BE MEASURED OVER MANDRELS,
 RING GAGES OR PIN GAGES OF SUITABLE SIZE

VTE Incorporated
 5437 Robinson Road, P.O. Box 790
 Pellston, Michigan 49769
 Telephone: 1-800-527-9256, 231-539-8000
 FAX: 231-539-0914

REF:	DATE: 3-30-98	DRN BY: JC CHK'D BY:	WEIGHT: 047 LBS. / 21.2 G.
TITLE: INSULATED TERMINAL COVER			
MATERIAL:		PART NO. 417N9V02	
COLOR:	DRG CLASS		