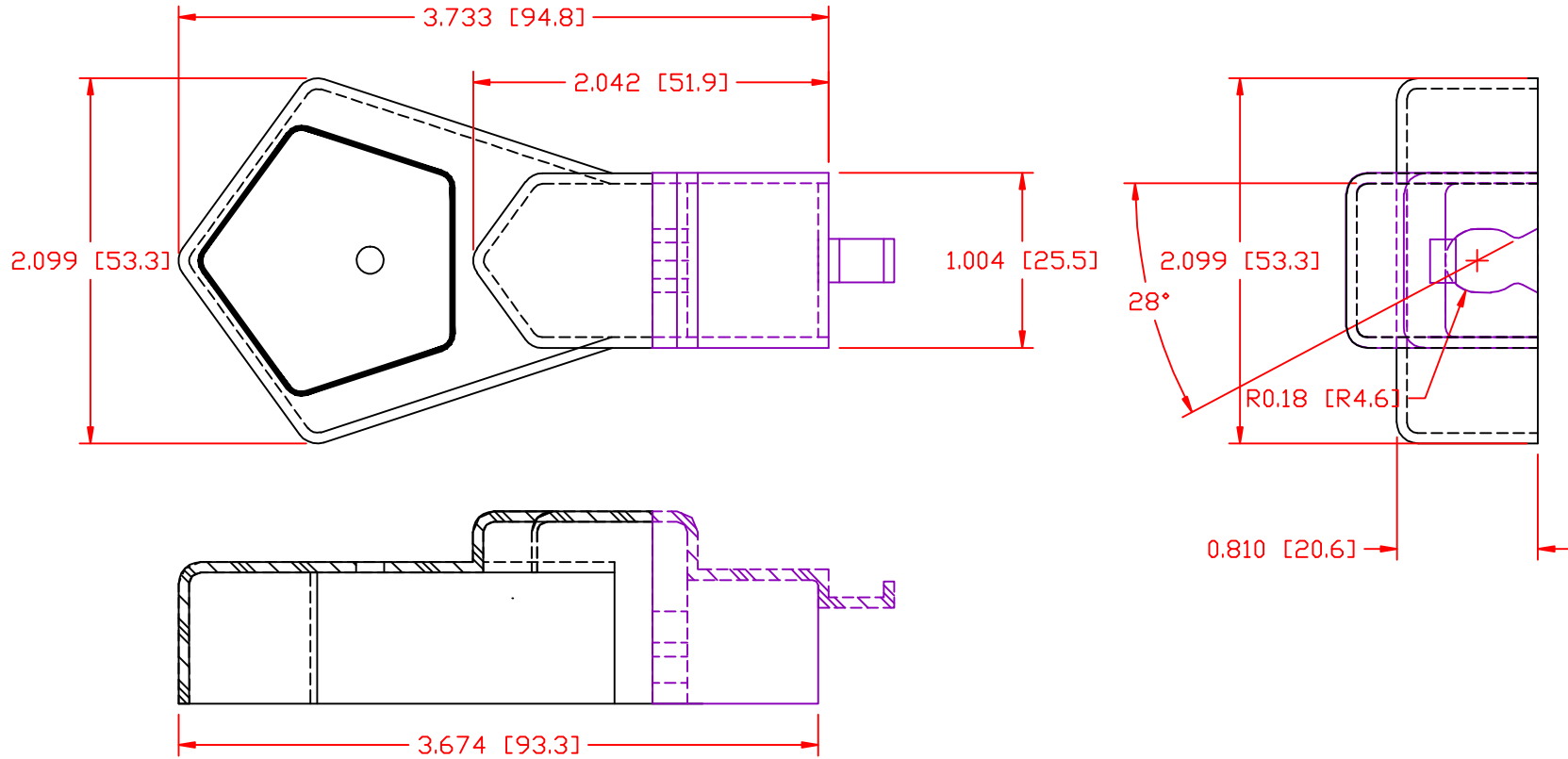


PROPRIETARY RIGHTS ARE CLAIMED FOR THE INFORMATION DISCLOSED IN THIS DRAWING. RELEASE OF THIS DESIGN TO ANY THIRD PARTY CONSTITUTES A VIOLATION OF OUR COPYRIGHT.

LTR.	REVISIONS	DATE
△	ADDED WALL SECTION AT REAR OF SHROUD	06-04-99



436N4

DESIGNED TO FIT 25 mm² METRIC CABLE

TOLERANCE UNLESS OTHERWISE SPECIFIED: ±.030"/±0.8mm
 RADIAL DIAMETERS TO BE MEASURED OVER MANDRELS,
 RING GAGES OR PIN GAGES OF SUITABLE SIZE

Material:	RED PVC
Material Part No	M105-95 RD
Shore Durometer	"A" 10 SEC. 98/92
Specific Gravity:	1.42
Ult. Elongation %:	217
Tensile Strength PSI:	2123
U.L. Rating:	94 V2



VTE Incorporated
 5437 Robinson Road, P.O. Box 790
 Pellston, Michigan 49769
 Telephone: 1-800-527-9256, 231-539-8000
 FAX: 231-539-0914

REF: *****	DATE: 06-15-99	DRN BY: BRH	WEIGHT: *****
TITLE: BATTERY TERMINAL INSULATOR		CHK'D BY:	SCALE: NONE
MATERIAL: *****	PART NO. 436N4V02		
COLOR: *****	DRG CLASS *****		