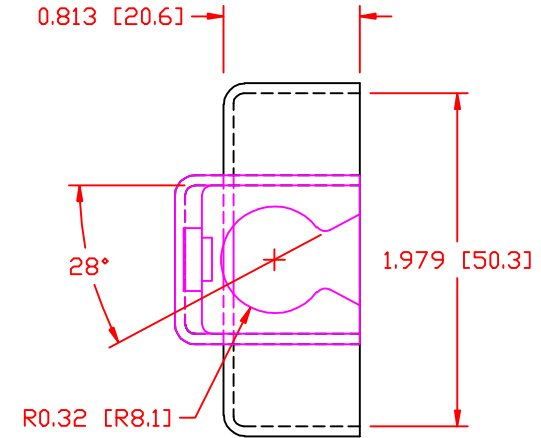
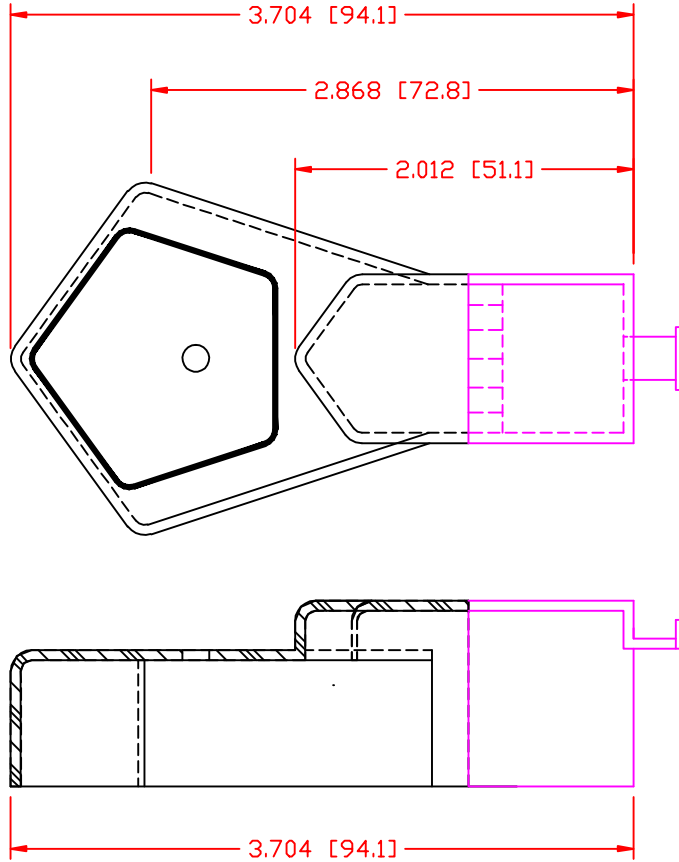


PROPRIETARY RIGHTS ARE CLAIMED FOR THE INFORMATION DISCLOSED IN THIS DRAWING. RELEASE OF THIS DESIGN TO ANY THIRD PARTY CONSTITUTES A VIOLATION OF OUR COPYRIGHT.

LTR.	REVISIONS	DATE
⤴	ADDED WALL SECTION AT REAR OF SHROUD	06-04-99

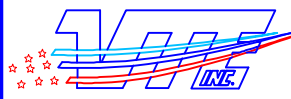


436N7

DESIGNED TO FIT 90mm<sup>2</sup> METRIC CABLE

VTE Material Part No:	1101650102
Material:	RED PVC
Material Part No	M105-95 RD
Shore Durometer	"A" 10 SEC. 98/92
Specific Gravity:	1.42
Ult. Elongation %:	217
Tensile Strength PSI:	2123
U.L. Rating:	94 V2

TOLERANCE UNLESS OTHERWISE SPECIFIED: ±.030"/±0.8mm  
 RADIAL DIAMETERS TO BE MEASURED OVER MANDRELS,  
 RING GAGES OR PIN GAGES OF SUITABLE SIZE

		<b>VTE Incorporated</b> 5437 Robinson Road, P.O. Box 790 Pellston, Michigan 49769 Telephone: 1-800-527-9256, 231-539-8000 FAX: 231-539-0914	
		REF: *****	DATE: 06-15-99
TITLE: BATTERY TERMINAL INSULATOR			SCALE: NONE
MATERIAL: *****		PART NO. 436N7 V02	
COLOR: *****	DRG CLASS *****		