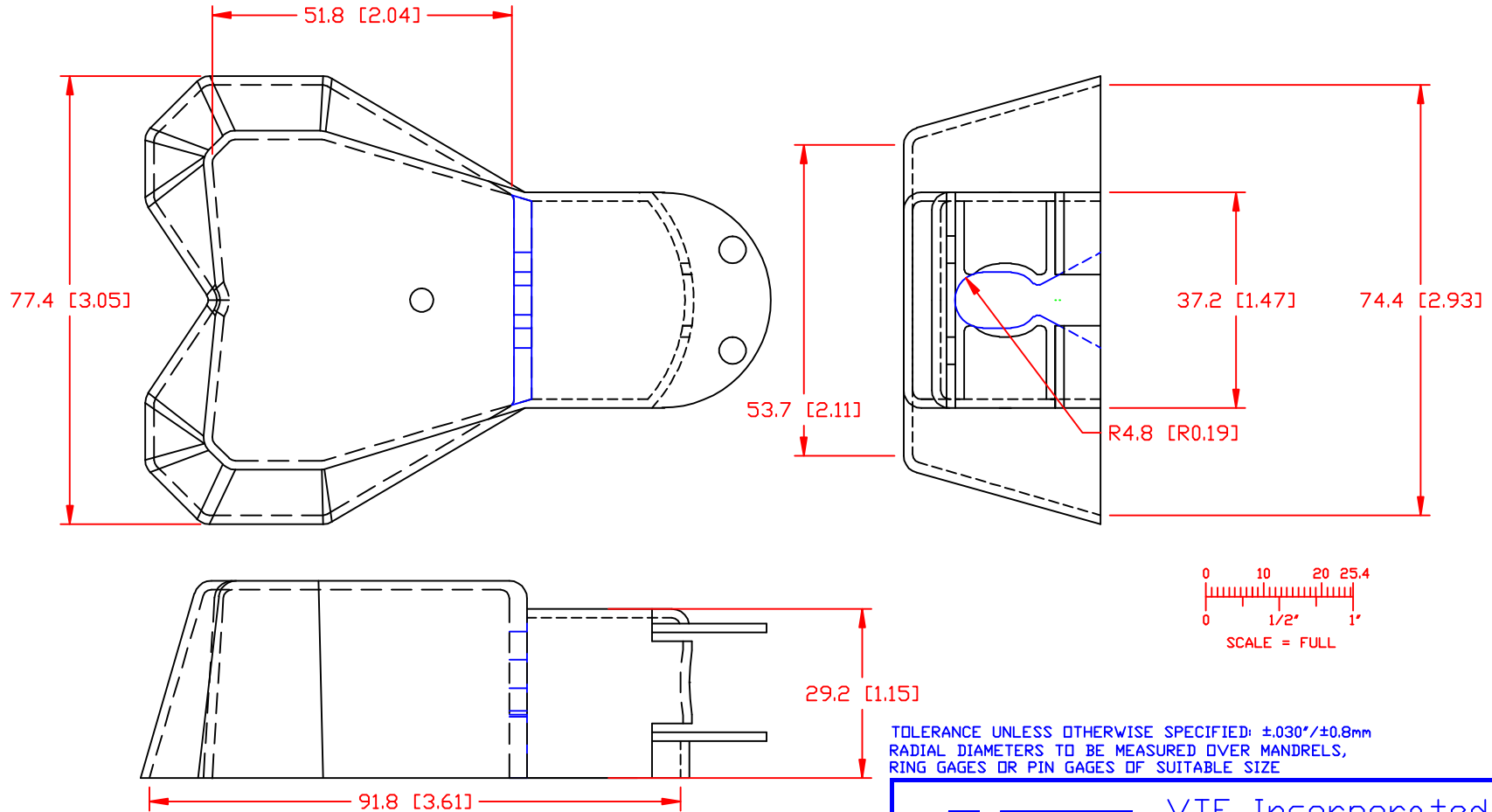



PROPRIETARY RIGHTS ARE CLAIMED FOR THE MATERIAL DISCLOSED IN THIS DRAWING.

LTR.	REVISIONS	DATE
A	INCREASE FLAP TO .060" THICK	10-18-99
B	INCREASED GRIP HEIGHT, ADDED INSPECTION PORT AND CABLE TIE HOLES	11-30-99



VTE Material Part No: 1101650102
 Material: RED PVC
 Material Part No: M105-95 RD
 Shore Durometer: "A" 10 SEC. 98/92
 Specific Gravity: 1.42
 Ult. Elongation %: 217
 Tensile Strength PSI: 2123
 U.L. Rating: 94 V2

 **VTE Incorporated**
 5437 Robinson Road, P.O. Box 790
 Pellston, Michigan 49769
 Telephone: 1-800-527-9256, 231-539-8000
 FAX: 231-539-0914

REF: *****	DATE: 10-13-99	DRN BY: BRH	WEIGHT: 071 LBS. / 32.3 G.
TITLE: L-POST TERMINAL COVER			SCALE: *****
MATERIAL: *****		PART NO. 439N5V02	
COLOR: *****	DRG CLASS *****		