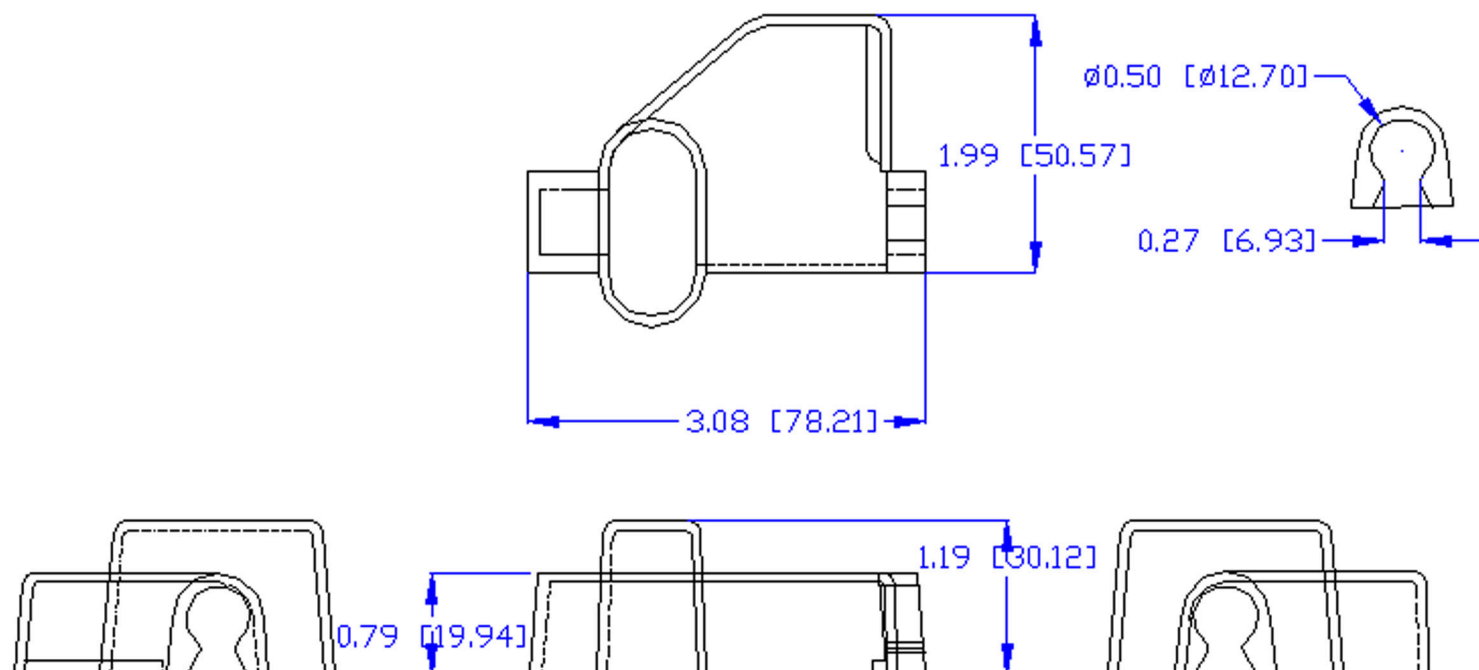


LTR.	REVISIONS	DATE
A	DRAWING LAYOUT/DIMENSION	9/20/99

GRIP DETAIL



TOLERANCE UNLESS OTHERWISE SPECIFIED: ±0.030"/±0.8mm
 RADIAL DIAMETERS TO BE MEASURED OVER MANDRELS,
 RING GAGES OR PIN GAGES OF SUITABLE SIZE

Material:
 Material Part No
 Shore Durometer
 Specific Gravity:
 Ult. Elongation %:
 Tensile Strength PSI:
 U.L. Rating:

9812-95 BLACK PVC
 1101950114 OR EQUIVALENT
 'A' 10 SEC. 98/92
 1.42
 175
 2165
 94 V2



VTE Incorporated
 5437 Robinson Road, P.O. Box 790
 Pellston, Michigan 49769
 Telephone: 1-800-527-9256, 231-539-8000
 FAX: 231-539-0914

REF:	DATE: 07/15/99	DRN BY: LWH CHK'D BY:	WEIGHT: 047 LBS. / 215 G.
TITLE: OFFSET TERMINAL INSULATOR			SCALE: ****
MATERIAL: SEE LIST	PART NO. 453R9		
COLOR: BLACK	DRG CLASS		