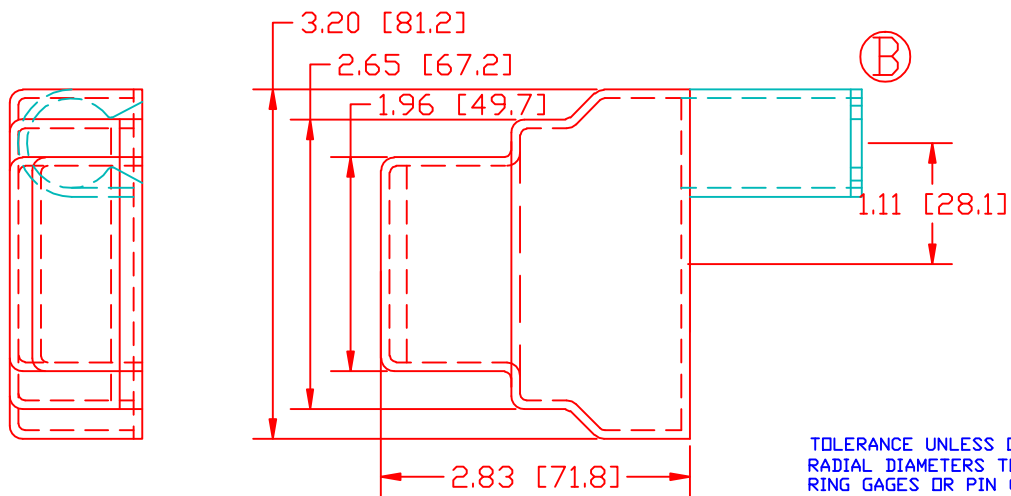
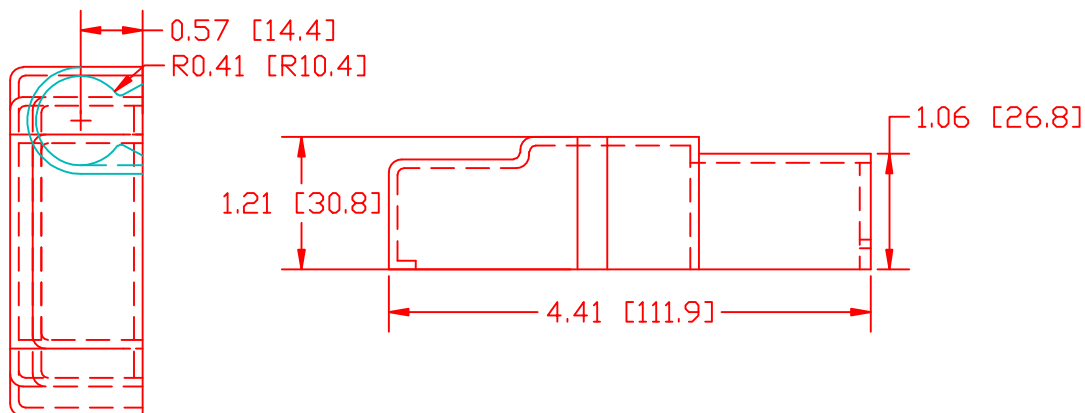


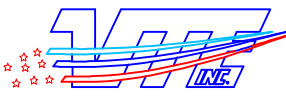
THE INFORMATION CONTAINED IN THIS DRAWING IS THE SOLE PROPERTY OF VTE INCORPORATED. ANY REPRODUCTION IN PART OR WHOLE WITHOUT THE WRITTEN PERMISSION OF VTE INCORPORATED IS PROHIBITED.

LTR.	REVISIONS	DATE
A	ORIGINAL CONCEPT	29-SE-00
B	REVISED GRIP THICKNESS TO .007	12-FE-01



TOLERANCE UNLESS OTHERWISE SPECIFIED:  $\pm 0.030$  /  $\pm 0.8$ mm  
 RADIAL DIAMETERS TO BE MEASURED OVER MANDRELS,  
 RING GAGES OR PIN GAGES OF SUITABLE SIZE

VTE Material Part No:	1101600302
Material:	RED PVC
Material Part No	M105-95 RD
Shore Durometer	"A" 10 SEC. 98/92
Specific Gravity:	1.42
Ult. Elongation %:	217
Tensile Strength PSI:	2123
U.L. Rating:	94 V2

		<b>VTE Incorporated</b> 5437 Robinson Road, P.O. Box 790 Pellston, Michigan 49769 Telephone: 1-800-527-9256, 231-539-8000 FAX: 231-539-0914	
		REF: *****	DATE: 29-SE-00
TITLE: BATTERY TERMINAL INSULATOR			SCALE: AS NOTED
MATERIAL: AS NOTED		PART NO. 468R9V02	
COLOR: AS NOTED	DRG CLASS *****		