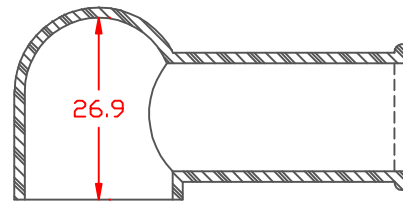
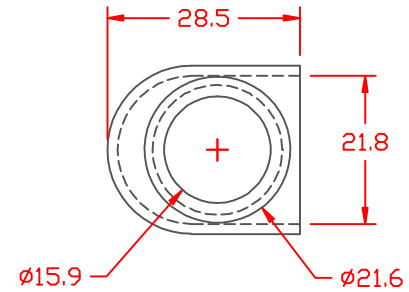
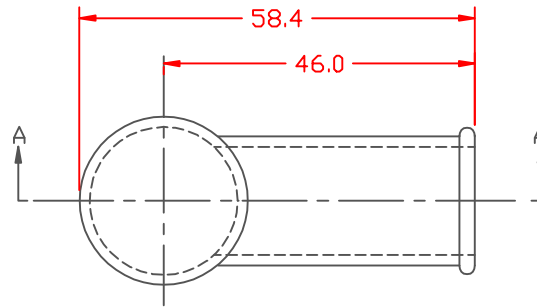


PROPRIETARY RIGHTS ARE CLAIMED FOR THE MATERIAL DISCLOSED IN THIS DRAWING.

TYP. WALL THICKNESS = 1.5
TYP. RADIUS = 1.5

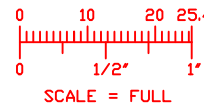
LTR.	REVISIONS	DATE
	*****	00-00-98



SECTION A-A

TOLERANCE UNLESS OTHERWISE SPECIFIED: $\pm 0.30 / \pm 0.8\text{mm}$
RADIAL DIAMETERS TO BE MEASURED OVER MANDRELS,
RING GAGES OR PIN GAGES OF SUITABLE SIZE

VTE Material Part No:	1101650102
Material:	RED PVC
Material Part No	9812-65-RED683
Max. Operating Temp:	105 C
Shore Durometer	"A" 10 SEC. 67/62
Specific Gravity:	1.34
Ult. Elongation %:	475
Brittle Temp:	-44 C
Tensile Strength PSI:	1547 PSI
Dielectric Strength, v./ml	540
U.L. Rating:	94 V2
MEETS:	FMVSS.302



		VTE Incorporated 5437 Robinson Road, P.O. Box 790 Pellston, Michigan 49769 Telephone: 1-800-527-9256, 231-539-8000 FAX: 231-539-0914		
		REF:	DATE:	DRN BY: JC
		4-1-98	CHK'D BY:	018 LBS. / 7.98 G.
TITLE: TERMINAL INSULATOR BOOT				
MATERIAL:		PART NO.		
		470N9V02		
COLOR:	DRG CLASS			