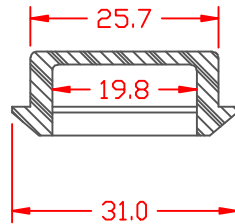
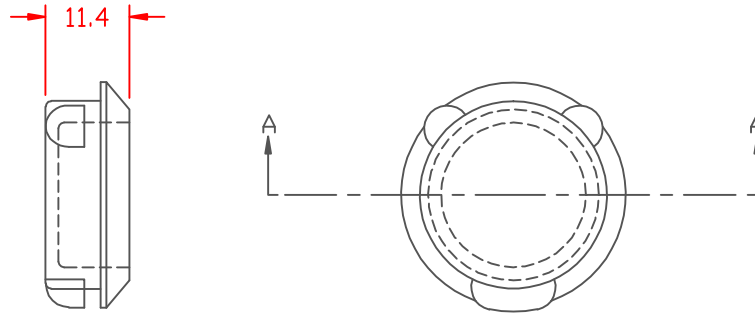


PROPRIETARY RIGHTS ARE CLAIMED FOR THE MATERIAL DISCLOSED IN THIS DRAWING.

TO BE USED WITH VTE 480 TO FILL UNUSED OPENINGS

TYP. RADIUS = 3.3

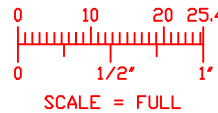
LTR.	REVISIONS	DATE
✖	*****	00-00-98

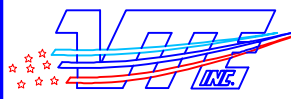


SECTION A-A

TOLERANCE UNLESS OTHERWISE SPECIFIED: ±.030"/±0.8mm
 RADIAL DIAMETERS TO BE MEASURED OVER MANDRELS,
 RING GAGES OR PIN GAGES OF SUITABLE SIZE

VTE Material Part No:	1101650105 (Dr Equivalent)
Material:	YELLOW PVC
Material Part No:	110111865UL
Max. Operating Temp:	105 C
Shore Durometer:	"A" 65
Specific Gravity:	1.27
Ult. Elongation %:	325
Brittle Temp:	****
Tensile Strength PSI:	1500 PSI
Dielectric Strength, v./ml:	****
U.L. Rating:	****
MEETS:	****



		VTE Incorporated 5437 Robinson Road, P.O. Box 790 Pellston, Michigan 49769 Telephone: 1-800-527-9256, 231-539-8000 FAX: 231-539-0914	
		REF:	DATE:
	4-1-98	JC	4.2 grams
TITLE: 8D BATTERY CAP PLUG			
MATERIAL:		PART NO.	
		477N0V05	
COLOR:	DRG CLASS		