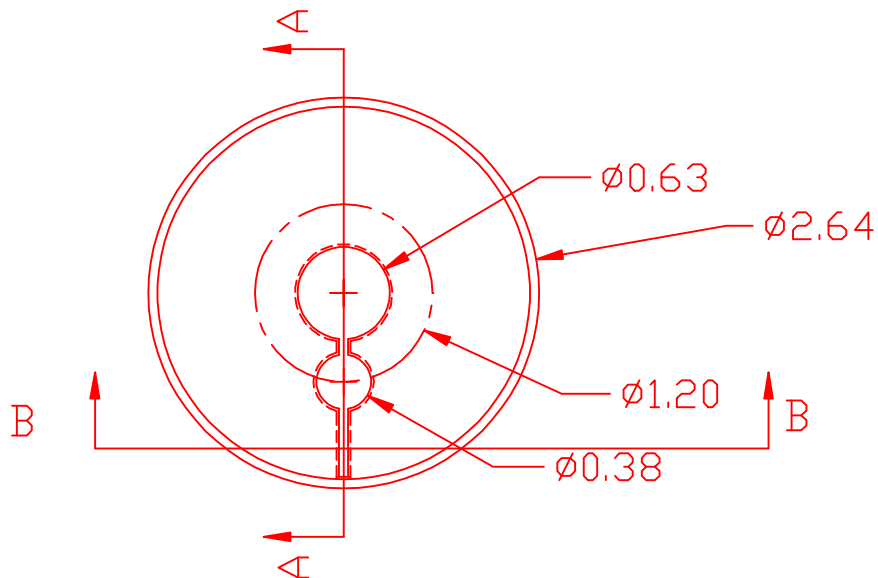
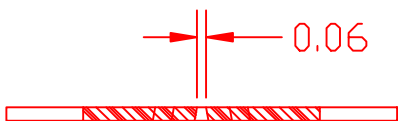


THE INFORMATION CONTAINED IN THIS DRAWING IS THE SOLE PROPERTY OF VTE INCORPORATED. ANY REPRODUCTION IN PART OR WHOLE WITHOUT THE WRITTEN PERMISSION OF VTE INCORPORATED IS PROHIBITED.

LTR.	REVISIONS	DATE
✖	*****	00-00-98

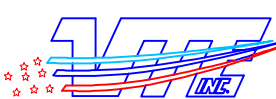


SECTION A-A



SECTION B-B

Material:	Polypropylene
Material Part No:	Polypropylene Copolymer
Max. Operating Temp:	550 F
Durometer:	110 R-Scale
Specific Gravity:	1.13
Ult. Elongation %:	2.5
Modulus PSI:	Not Tested
Tensile Strength PSI:	9500
Dielectric Strength, v./ml	Not Tested
MEETS:	UL94HB

		<b>VTE Incorporated</b> 5437 Robinson Road, P.O. Box 790 Pellston, Michigan 49769 Telephone: 1-800-527-9256, 231-539-8000 FAX: 231-539-0914	
		REF: 479N0P02	DATE: 31-MAY-01
TITLE: POWER POST INSULATOR 5/16"			SCALE: NOTED
MATERIAL: NOTED		PART NO. 479A9P02	
COLOR: RED	DRG CLASS: *****		

