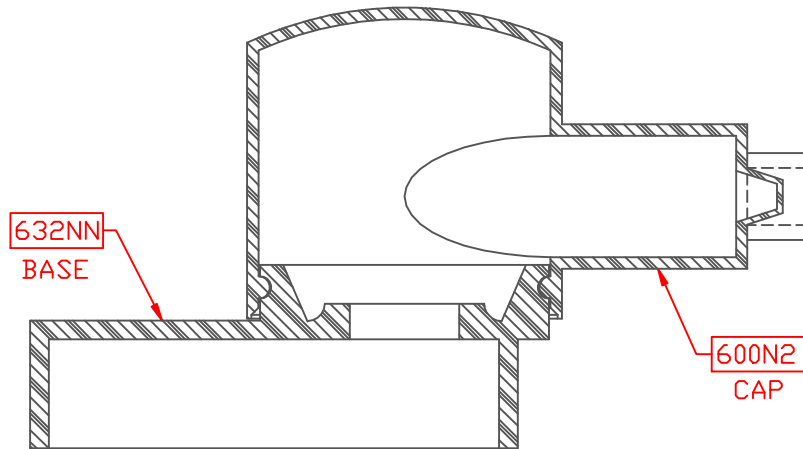
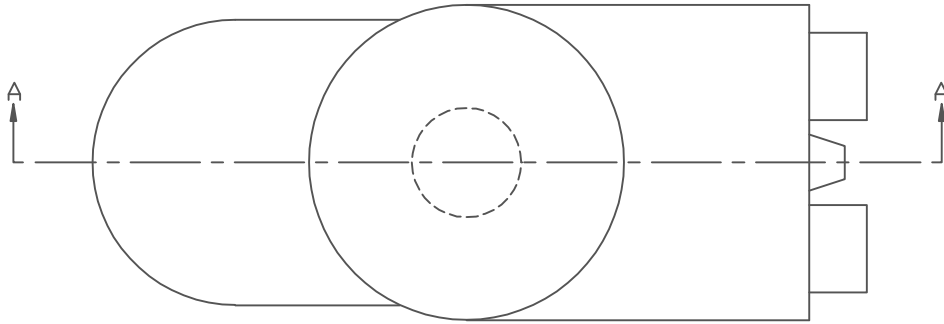


PROPRIETARY RIGHTS ARE CLAIMED FOR THE MATERIAL DISCLOSED IN THIS DRAWING.

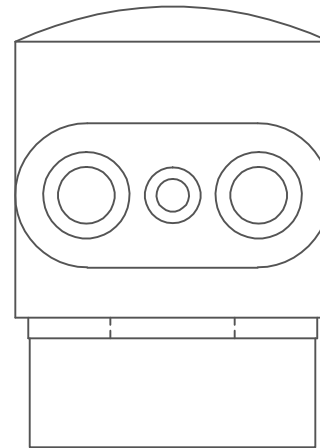
NEGATIVE TERMINAL



SECTION A-A

(1) 74023 KIT CONTAINS THE FOLLOWING

| QUANTITY | PART # | DESCRIPTION |
|----------|----------|-----------------------|
| 1 | 600N2V14 | BATTERY TERMINAL CAP |
| 1 | 632NNV14 | BATTERY TERMINAL BASE |



VTE Incorporated
 5437 Robinson Road, P.O. Box 790
 Pellston, Michigan 49769
 Telephone: 1-800-527-9256, 231-539-8000
 FAX: 231-539-0914

| | | | |
|--|-----------------|-------------------------|-----------------|
| REF: | DATE: 5-4-98 | DRN BY: JC CHK'D BY: | WEIGHT: **** |
| TITLE: MARINE BATTERY TERMINAL BOOT ASSEMBLY | | | |
| MATERIAL: | | PART NO. 74023 | |
| COLOR: | DRG CLASS | | |