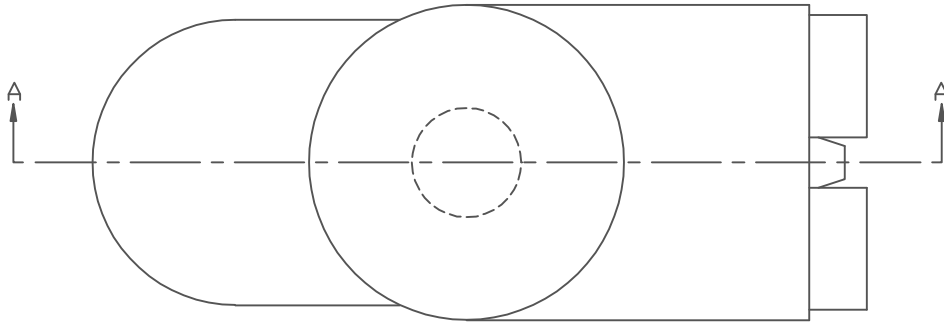


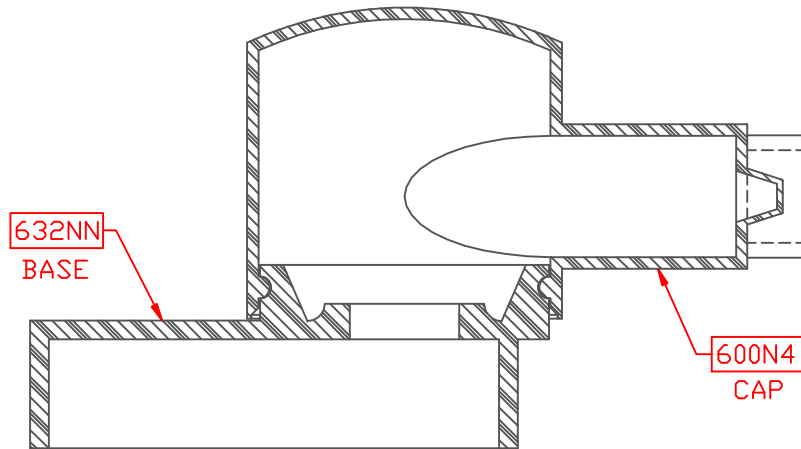
PROPRIETARY RIGHTS ARE CLAIMED FOR THE MATERIAL DISCLOSED IN THIS DRAWING.

**NEGATIVE TERMINAL**

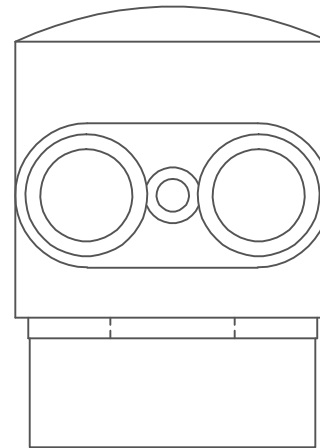


(1) 74043 KIT CONTAINS THE FOLLOWING

QUANTITY	PART #	DESCRIPTION
1	600N4V14	BATTERY TERMINAL CAP
1	632NNV14	BATTERY TERMINAL BASE



SECTION A-A



VTE Incorporated  
 5437 Robinson Road, P.O. Box 790  
 Pellston, Michigan 49769  
 Telephone: 1-800-527-9256, 231-539-8000  
 FAX: 231-539-0914

REF:	DATE: 5-4-98	DRN BY: JC CHK'D BY:	WEIGHT: ****
TITLE: MARINE BATTERY TERMINAL BOOT ASSEMBLY			
MATERIAL:		PART NO. 74043	
COLOR:	DRG CLASS		