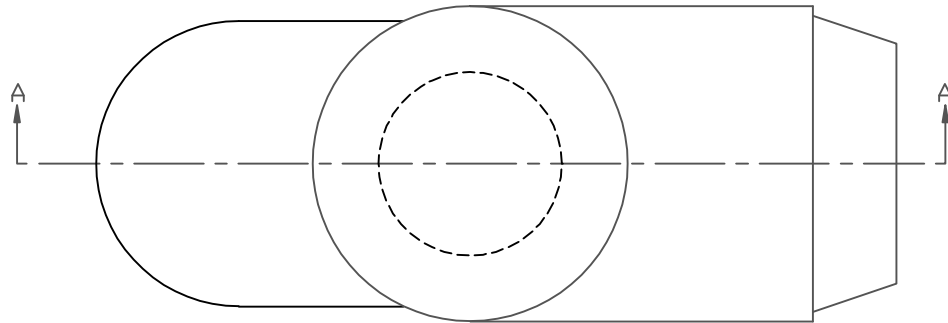


PROPRIETARY RIGHTS ARE CLAIMED FOR THE MATERIAL DISCLOSED IN THIS DRAWING.

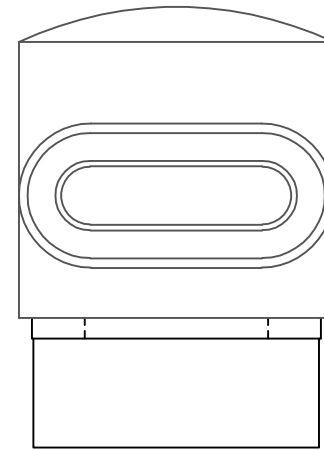
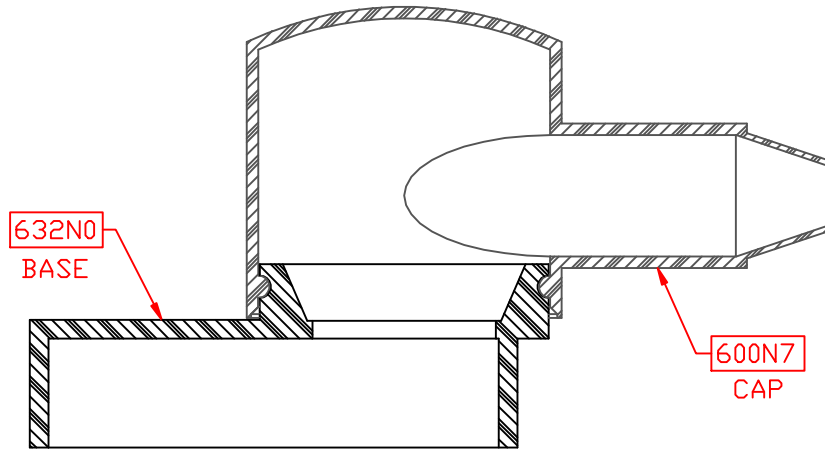
LTR.	REVISIONS	DATE
✖	*****	00-00-98

**NEGATIVE TERMINAL**



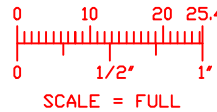
(1) 75073 KIT CONTAINS THE FOLLOWING

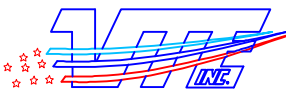
QUANTITY	PART #	DESCRIPTION
1	600N7V14	BATTERY TERMINAL CAP
1	632N0V14	BATTERY TERMINAL BASE



SECTION A-A

Material:	BLACK PVC
Material Part No	9812-65
Max. Operating Temp:	105 C
Shore Durometer	"A" 10 SEC. 67/63
Specific Gravity:	1.33
Ult. Elongation %:	520
Brittle Temp:	-36 C
Tensile Strength PSI:	1563 PSI
Dielectric Strength, v./ml	540
U.L. Rating:	94 V2
MEETS:	FMVSS.302





**VTE Incorporated**  
 5437 Robinson Road, P.O. Box 790  
 Pellston, Michigan 49769  
 Telephone: 1-800-527-9256, 231-539-8000  
 FAX: 231-539-0914

REF:	DATE: 5-4-98	DRN BY: JC CHK'D BY:	WEIGHT: ****
TITLE: MARINE BATTERY TERMINAL BOOT ASSEMBLY			
MATERIAL:	PART NO. 75073		
COLOR:	DRG CLASS		