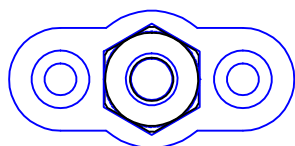
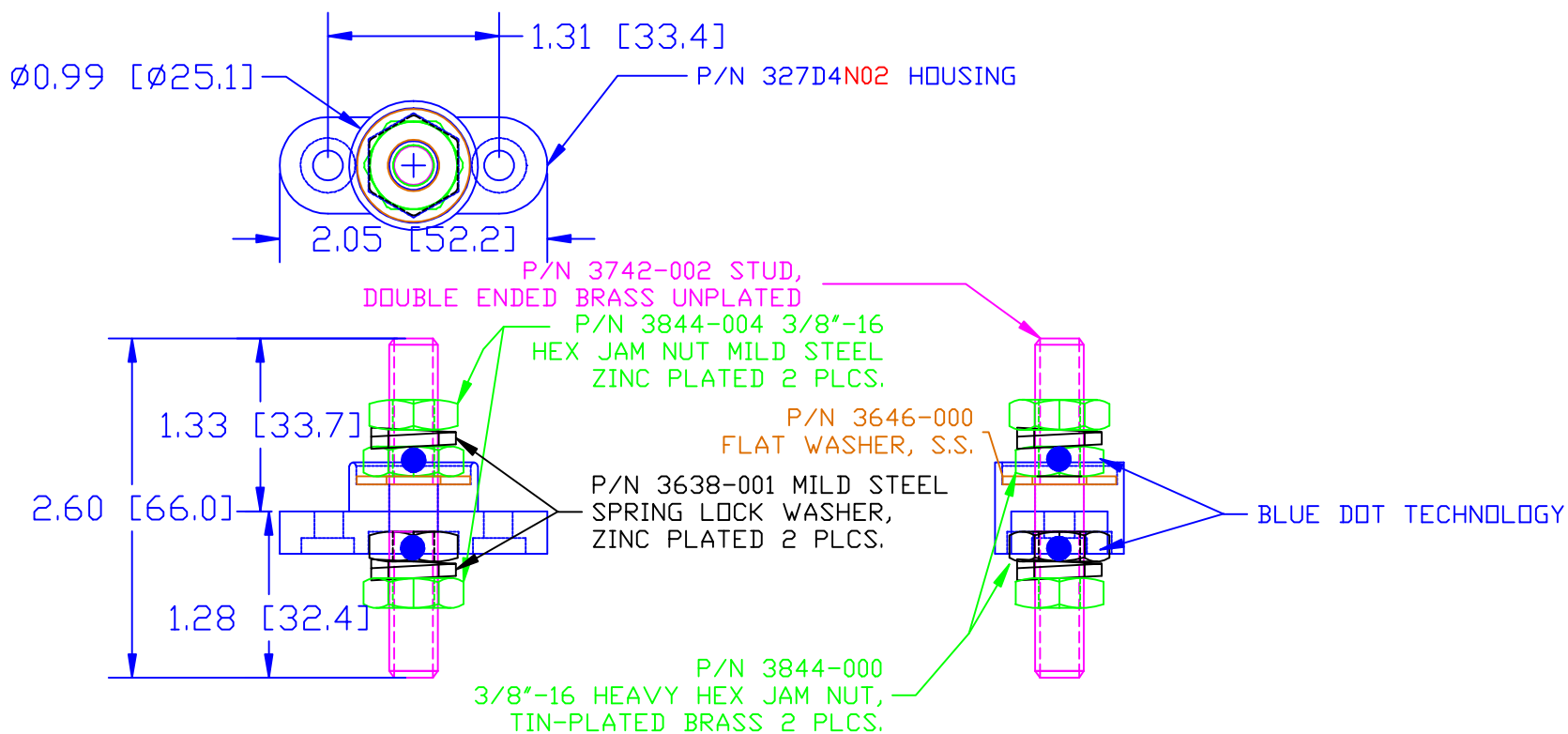


THE INFORMATION CONTAINED IN THIS DRAWING IS THE SOLE PROPERTY OF VTE INCORPORATED. ANY REPRODUCTION IN PART OR WHOLE WITHOUT THE WRITTEN PERMISSION OF VTE INCORPORATED IS PROHIBITED.

LTR.	REVISIONS	DATE
✖	*****	00-000-00

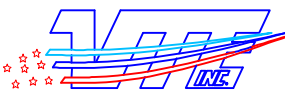


TOLERANCE UNLESS OTHERWISE SPECIFIED:
 MOLDED PRODUCTS ONLY: $\pm 0.30^\circ / \pm 0.8\text{mm}$
 HARDWARE ITEMS: $\pm 0.010^\circ / \pm 0.25\text{mm}$
 RADIAL DIAMETERS TO BE MEASURED OVER MANDRELS,
 RING GAGES OR PIN GAGES OF SUITABLE SIZE

BASE MATERIAL:
 BASE MATERIAL U.L. RATING:

GLASS-REINFORCED NYLON
 94 HB

MAXIMUM RECOMMENDED FASTENER TORQUE: 12 FT./LBS. (144 IN./LBS.)
 MAXIMUM AMPERAGE: 250 AMPS AT 12 VDC

		VTE Incorporated 5437 Robinson Road, P.O. Box 790 Pellston, Michigan 49769 Telephone: 1-800-527-9256, 231-539-8000 FAX: 231-539-0914	
		REF: *****	DATE: 12MAR07
TITLE: JUNCTION BLOCK, STUD TYPE, PASS-THRU			SCALE:
MATERIAL:		PART NO.	
COLOR: *****	DRG CLASS *****	77237 C N02	