

THE INFORMATION CONTAINED IN THIS DRAWING IS THE SOLE PROPERTY OF VTE INCORPORATED. ANY REPRODUCTION IN PART OR WHOLE WITHOUT THE WRITTEN PERMISSION OF VTE INCORPORATED IS PROHIBITED.

LTR.	REVISIONS	DATE
✳	✳✳✳✳✳✳✳✳✳✳✳	✳✳✳

VTE MAKES NO WARRANTY, EXPRESSED OR IMPLIED, AS TO THE SUITABILITY OF A PRODUCT FOR ANY INTENDED USE. THE CUSTOMER SHALL BEAR THE SOLE RESPONSIBILITY OF DETERMINING THE SUITABILITY OF ANY VTE PRODUCT FOR ITS END USE.

USE GREENLEE
PUNCH ASSEMBLY
#60098 FOR PANEL
CUTOUT



P/N 3531N02
3/8" INNER PANEL BUSHING
FOR 1/8" PANEL THICKNESS

#3838 3/8"-16 BRASS
JAM NUT
BLUE NUT TECHNOLOGY
P/N 3740-002
3/8"-16 UNC X 1.5"
S.S. BOLT
(HEADED)

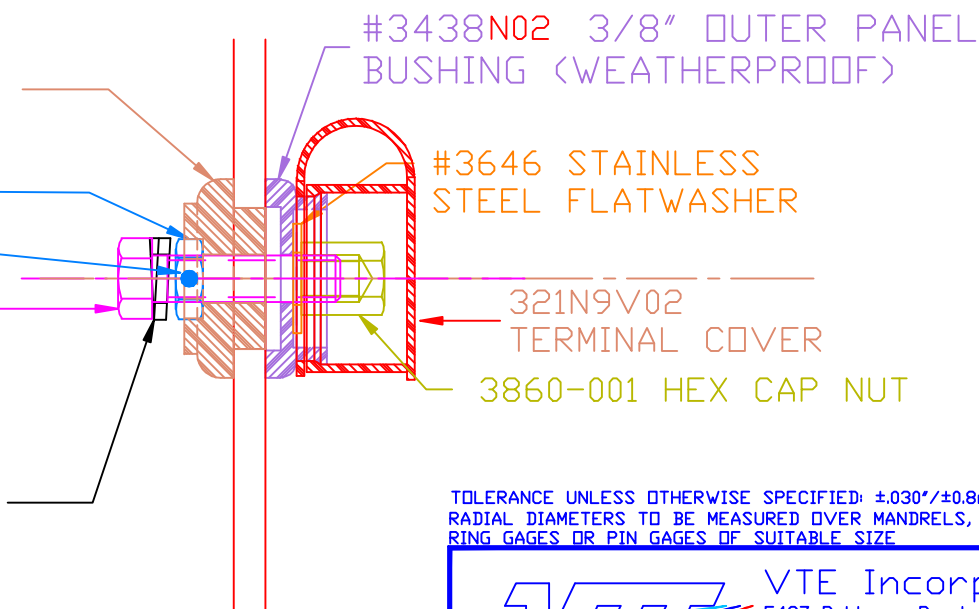
#3638 STAINLESS
STEEL SPRING WASHER

DO NOT SCALE

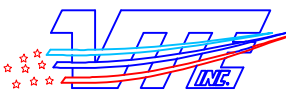
MAXIMUM AMPERAGE: 50 AMPS@ 12VDC

BASE MATERIAL:
BASE MATERIAL U.L. RATING:

GLASS-REINFORCED NYLON
94 HB



TOLERANCE UNLESS OTHERWISE SPECIFIED: ±.030"/±0.8mm
RADIAL DIAMETERS TO BE MEASURED OVER MANDRELS,
RING GAGES OR PIN GAGES OF SUITABLE SIZE

		VTE Incorporated 5437 Robinson Road, P.O. Box 790 Pellston, Michigan 49769 Telephone: 1-800-527-9256, 231-539-8000 FAX: 231-539-0914	
		REF: 7B3731	DATE: 06AUG03
TITLE: POWER CONNECTOR, AUX. 3/8" STUD 1/4" MAX PANEL			SCALE:
MATERIAL:		PART NO. 7A373102	
COLOR: ****	DRG CLASS: ****		