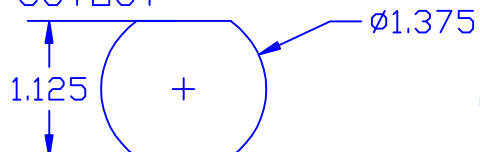


THE INFORMATION CONTAINED IN THIS DRAWING IS THE SOLE PROPERTY OF VTE INCORPORATED. ANY REPRODUCTION IN PART OR WHOLE WITHOUT THE WRITTEN PERMISSION OF VTE INCORPORATED IS PROHIBITED.

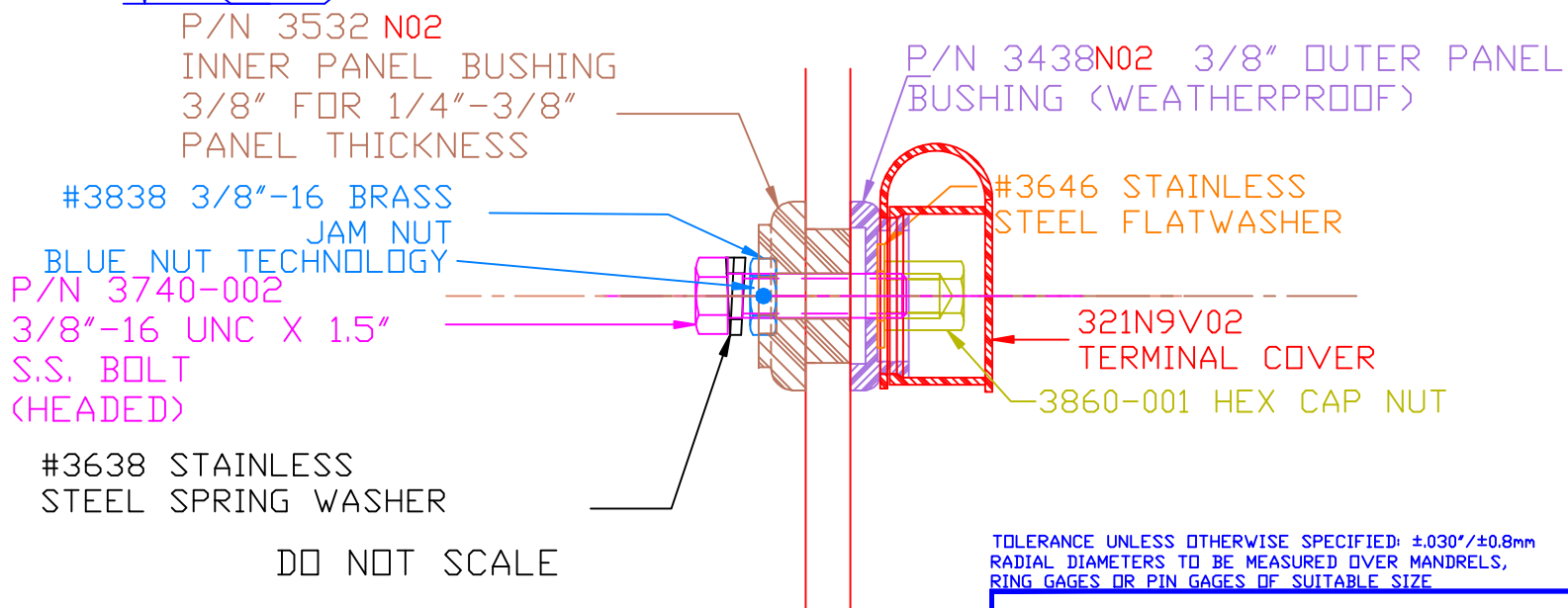
LTR.	REVISIONS	DATE
✳	✳✳✳✳✳✳✳✳✳✳✳	✳✳✳

VTE MAKES NO WARRANTY, EXPRESSED OR IMPLIED, AS TO THE SUITABILITY OF A PRODUCT FOR ANY INTENDED USE. THE CUSTOMER SHALL BEAR THE SOLE RESPONSIBILITY OF DETERMINING THE SUITABILITY OF ANY VTE PRODUCT FOR ITS END USE.

USE GREENLEE  
PUNCH ASSEMBLY  
#60098 FOR PANEL  
CUTOUT



ASSEMBLY #7A373202



P/N 3532 N02

INNER PANEL BUSHING  
3/8" FOR 1/4"-3/8"  
PANEL THICKNESS

#3838 3/8"-16 BRASS  
JAM NUT

BLUE NUT TECHNOLOGY

P/N 3740-002  
3/8"-16 UNC X 1.5"  
S.S. BOLT  
(HEADED)

#3638 STAINLESS  
STEEL SPRING WASHER

DO NOT SCALE

P/N 3438N02 3/8" OUTER PANEL  
BUSHING (WEATHERPROOF)

#3646 STAINLESS  
STEEL FLATWASHER

321N9V02  
TERMINAL COVER


3860-001 HEX CAP NUT

TOLERANCE UNLESS OTHERWISE SPECIFIED: ±.030"/±0.8mm  
RADIAL DIAMETERS TO BE MEASURED OVER MANDRELS,  
RING GAGES OR PIN GAGES OF SUITABLE SIZE

MAXIMUM AMPERAGE: 50 AMPS@ 12VDC

BASE MATERIAL:  
BASE MATERIAL U.L. RATING:

GLASS-REINFORCED NYLON  
94 HB

		<b>VTE Incorporated</b> 5437 Robinson Road, P.O. Box 790 Pellston, Michigan 49769 Telephone: 1-800-527-9256, 231-539-8000 FAX: 231-539-0914	
		REF: 7B3732	DATE: 06AUG03
TITLE: POWER CONNECTOR, AUX. 3/8" STUD 3/8" MAX PANEL			SCALE:
MATERIAL:		PART NO. 7A373202	
COLOR: ***	DRG CLASS: ***		