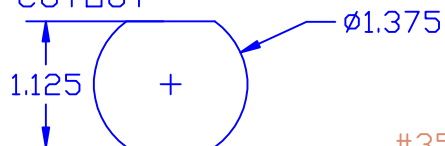


THE INFORMATION CONTAINED IN THIS DRAWING IS THE SOLE PROPERTY OF VTE INCORPORATED. ANY REPRODUCTION IN PART OR WHOLE WITHOUT THE WRITTEN PERMISSION OF VTE INCORPORATED IS PROHIBITED.

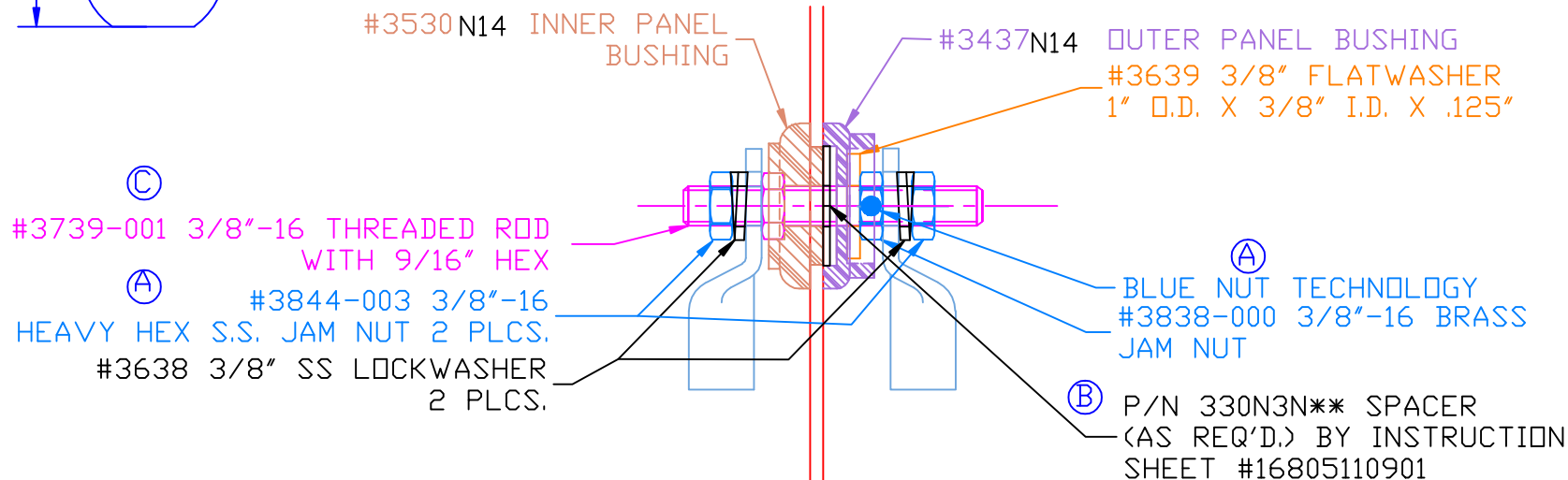
VTE MAKES NO WARRANTY, EXPRESSED OR IMPLIED, AS TO THE SUITABILITY OF A PRODUCT FOR ANY INTENDED USE. THE CUSTOMER SHALL BEAR THE SOLE RESPONSIBILITY OF DETERMINING THE SUITABILITY OF ANY VTE PRODUCT FOR ITS END USE.

LTR.	REVISIONS	DATE
A	3838-000 WAS 3838, 3844-003 ADDED 2 PLCS.	02MAR07
B	ADDED CALLOUT FOR SPACER AND INSTRUCTION SHEET	01MAY07
C	3739-001 WAS 3739	08MAR11

USE GREENLEE  
PUNCH ASSEMBLY  
#60098 FOR PANEL  
CUTOUT



ASSEMBLY #7B3730



ⓐ #3739-001 3/8"-16 THREADED ROD WITH 9/16" HEX

ⓐ #3844-003 3/8"-16 HEAVY HEX S.S. JAM NUT 2 PLCS.  
#3638 3/8" SS LOCKWASHER 2 PLCS.

ⓐ BLUE NUT TECHNOLOGY #3838-000 3/8"-16 BRASS JAM NUT

ⓑ P/N 330N3N\*\* SPACER (AS REQ'D.) BY INSTRUCTION SHEET #16805110901

DO NOT SCALE

TOLERANCE UNLESS OTHERWISE SPECIFIED: ±.030"/±0.8mm  
RADIAL DIAMETERS TO BE MEASURED OVER MANDRELS,  
RING GAGES OR PIN GAGES OF SUITABLE SIZE

MAXIMUM AMPERAGE: 300 AMPS @ 12VDC

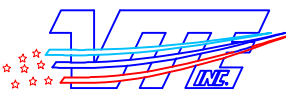
MAXIMUM RECOMMENDED FASTENER TORQUE: 180 IN./LBS.

BASE MATERIAL:  
BASE MATERIAL U.L. RATING:

GLASS-REINFORCED NYLON  
94 HB

OPTIONAL ITEMS SHOWN FOR ILLUSTRATIVE PURPOSE, NOT INCLUDED:

1/0 GA. TERMINAL LUGS (2 PLACES)

		<b>VTE Incorporated</b> 5437 Robinson Road, P.O. Box 790 Pellston, Michigan 49769 Telephone: 1-800-527-9256, 231-539-8000 FAX: 231-539-0914	
		REF: *****	DATE: 02JAN03
TITLE: 3/8" POWER STUD FOR LESS THAN 1/8" PANEL			SCALE:
MATERIAL:		PART NO.	
COLOR: BLACK	DRG CLASS: *****	7B3730N14	