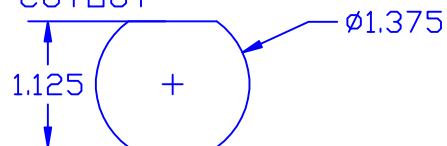


THE INFORMATION CONTAINED IN THIS DRAWING IS THE SOLE PROPERTY OF VTE INCORPORATED. ANY REPRODUCTION IN PART OR WHOLE WITHOUT THE WRITTEN PERMISSION OF VTE INCORPORATED IS PROHIBITED.

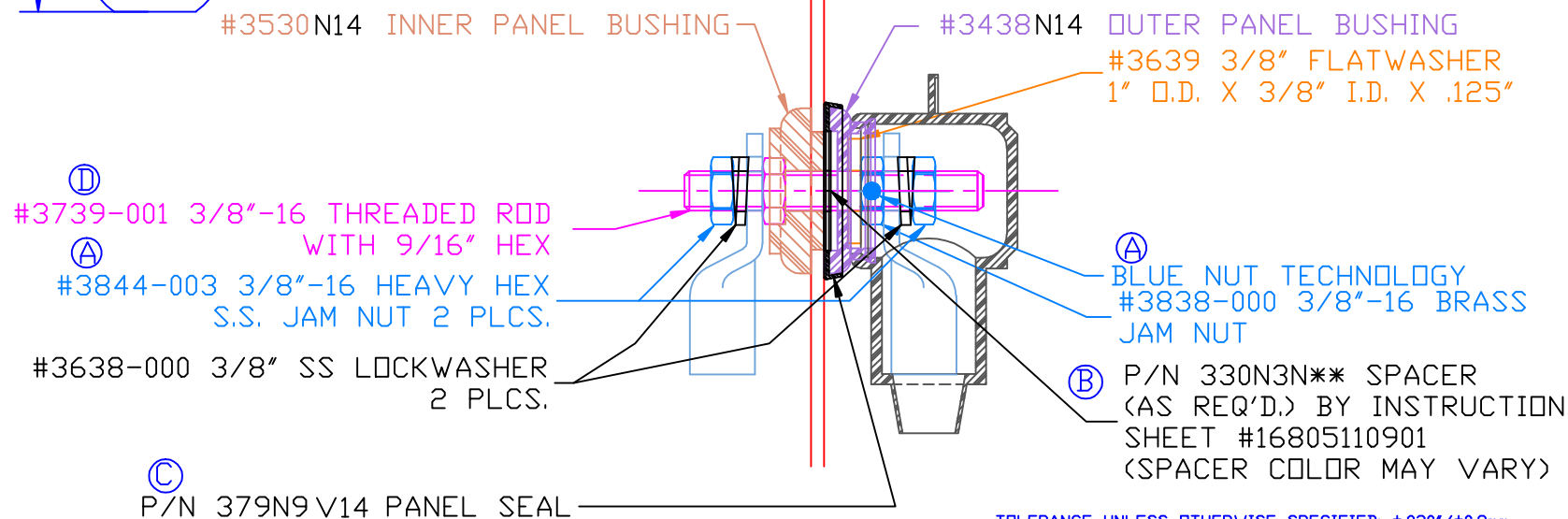
VTE MAKES NO WARRANTY, EXPRESSED OR IMPLIED, AS TO THE SUITABILITY OF A PRODUCT FOR ANY INTENDED USE. THE CUSTOMER SHALL BEAR THE SOLE RESPONSIBILITY OF DETERMINING THE SUITABILITY OF ANY VTE PRODUCT FOR ITS END USE.

LTR.	REVISIONS	DATE
A	3838-000 WAS 3838, 3844-003 ADDED 2 PLCS.	02MAR07
B	ADDED CALLOUT FOR SPACER AND INSTRUCTION SHEET	01MAY07
C	ADDED CALLOUT FOR P/N 379 PANEL SEAL	13FEB08
D	3739-001 WAS 3739	08MAR11

USE GREENLEE
PUNCH ASSEMBLY
#60098 FOR PANEL
CUTOUT



ASSEMBLY #7B3730N14W



MAXIMUM AMPERAGE: 300 AMPS @ 12VDC

MAXIMUM RECOMMENDED FASTENER TORQUE: 180 IN./LBS.
INCLUDES: 232N3V14 WEATHERPROOFING TERMINAL COVER

BASE MATERIAL:

BASE MATERIAL U.L. RATING:

OPTIONAL ITEMS SHOWN FOR ILLUSTRATIVE
PURPOSE, NOT INCLUDED:

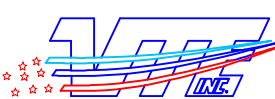
1/0 GA. TERMINAL LUGS (2 PLACES)

GLASS-REINFORCED NYLON

94 HB

DO NOT SCALE

TOLERANCE UNLESS OTHERWISE SPECIFIED: $\pm 0.30 / \pm 0.8 \text{mm}$
RADIAL DIAMETERS TO BE MEASURED OVER MANDRELS,
RING GAGES OR PIN GAGES OF SUITABLE SIZE

		VTE Incorporated 5437 Robinson Road, P.O. Box 790 Pellston, Michigan 49769 Telephone: 1-800-527-9256, 231-539-8000 FAX: 231-539-0914	
		REF: *****	DATE: 02JAN03
TITLE: POWER BUSHING 3/8" STUD 1/8" MAX PANEL WEATHERPROOF		SCALE:	
MATERIAL:		PART NO.	
COLOR: BLACK	DRG CLASS: *****	7B3730 N14 W	