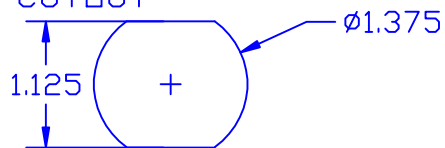


THE INFORMATION CONTAINED IN THIS DRAWING IS THE SOLE PROPERTY OF VTE INCORPORATED. ANY REPRODUCTION IN PART OR WHOLE WITHOUT THE WRITTEN PERMISSION OF VTE INCORPORATED IS PROHIBITED.

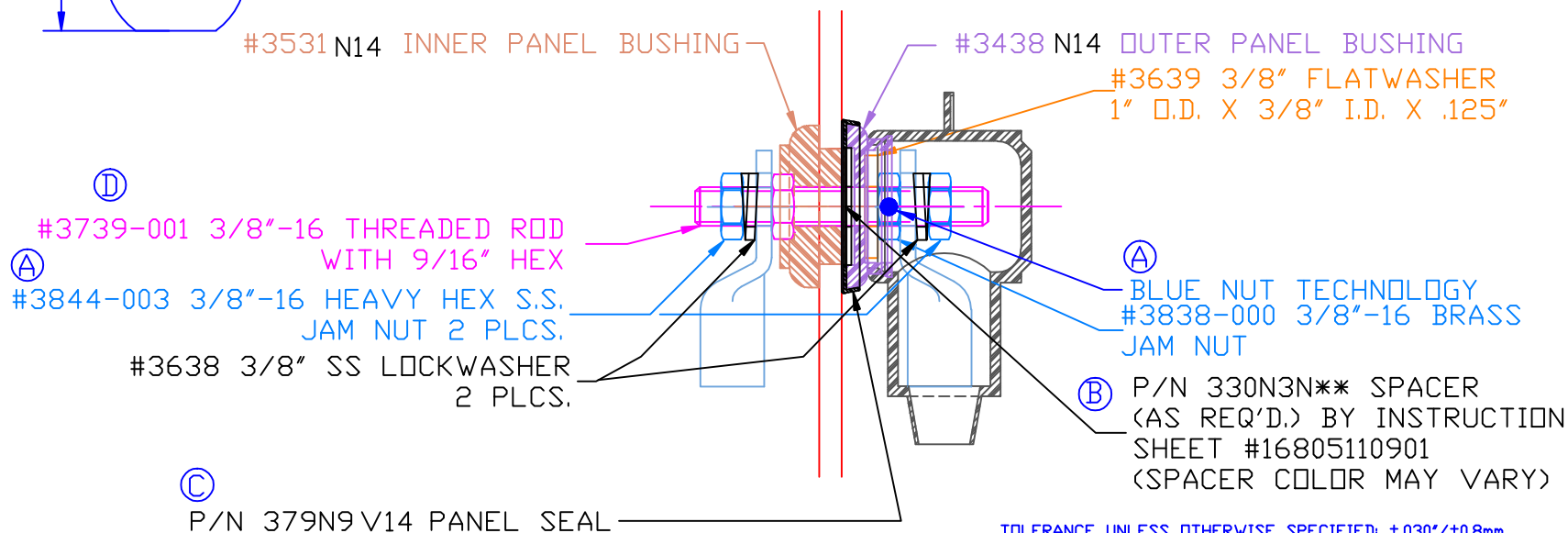
VTE MAKES NO WARRANTY, EXPRESSED OR IMPLIED, AS TO THE SUITABILITY OF A PRODUCT FOR ANY INTENDED USE. THE CUSTOMER SHALL BEAR THE SOLE RESPONSIBILITY OF DETERMINING THE SUITABILITY OF ANY VTE PRODUCT FOR ITS END USE.

LTR.	REVISIONS	DATE
A	3838-000 WAS 3838, 3844-003 ADDED 2 PLCS.	02MAR07
B	ADDED CALLOUT FOR SPACER AND INSTRUCTION SHEET	01MAY07
C	ADDED CALLOUT FOR P/N 379 PANEL SEAL	13FEB08
D	3739-001 WAS 3739	08MAR11

USE GREENLEE
PUNCH ASSEMBLY
#60098 FOR PANEL
CUTOUT



ASSEMBLY #7B3731N14W

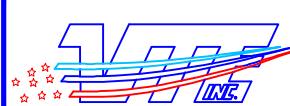


MAXIMUM AMPERAGE: 300 AMPS @ 12VDC
 MAXIMUM RECOMMENDED FASTENER TORQUE: 180 IN./LBS.
 INCLUDES: 232N3V14 WEATHERPROOFING TERMINAL COVER

BASE MATERIAL:
BASE MATERIAL U.L. RATING:

GLASS-REINFORCED NYLON
94 HB

TOLERANCE UNLESS OTHERWISE SPECIFIED: $\pm 0.30 / \pm 0.8 \text{mm}$
 RADIAL DIAMETERS TO BE MEASURED OVER MANDRELS,
 RING GAGES OR PIN GAGES OF SUITABLE SIZE



VTE Incorporated

5437 Robinson Road, P.O. Box 790
 Pellston, Michigan 49769
 Telephone: 1-800-527-9256, 231-539-8000
 FAX: 231-539-0914

REF: *****	DATE: 02JAN03	DRN BY: BRH	WEIGHT: *****
TITLE: POWER BUSHING 3/8" STUD 1/4" MAX PANEL WEATHERPROOF		CHK'D BY: BRH	SCALE:
MATERIAL:		PART NO.	
COLOR: BLACK	DRG CLASS: *****	7B3731 N14W	

DO NOT SCALE