

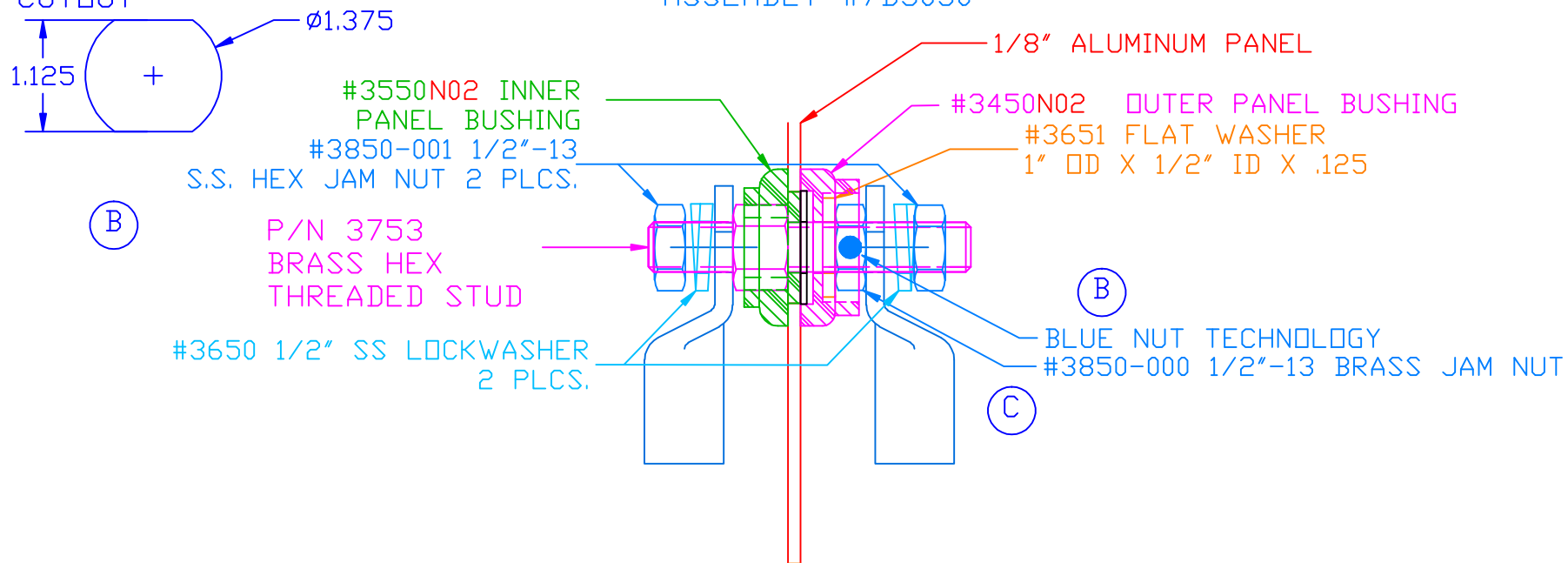
THE INFORMATION CONTAINED IN THIS DRAWING IS THE SOLE PROPERTY OF VTE INCORPORATED. ANY REPRODUCTION IN PART OR WHOLE WITHOUT THE WRITTEN PERMISSION OF VTE INCORPORATED IS PROHIBITED.

LTR.	REVISIONS	DATE
A	ADDED #3652 AND #3653	24JAN03
B	3850-000 WAS 3850, ADDED 3850-001 2 PLCS.	02MAR07
C	ADDED CALLOUT FOR SPACER AND INSTRUCTION SHEET	01MAY07
D	REVISED TORQUE RECOMMENDATIONS	08JUN10

VTE MAKES NO WARRANTY, EXPRESSED OR IMPLIED, AS TO THE SUITABILITY OF A PRODUCT FOR ANY INTENDED USE. THE CUSTOMER SHALL BEAR THE SOLE RESPONSIBILITY OF DETERMINING THE SUITABILITY OF ANY VTE PRODUCT FOR ITS END USE.

USE GREENLEE
PUNCH ASSEMBLY
#60098 FOR PANEL
CUTOUT

ASSEMBLY #7B5050



TOLERANCE UNLESS OTHERWISE SPECIFIED: $\pm 0.30 / \pm 0.8\text{mm}$
RADIAL DIAMETERS TO BE MEASURED OVER MANDRELS,
RING GAGES OR PIN GAGES OF SUITABLE SIZE

MAXIMUM AMPERAGE: 500 AMPS @ 12VDC

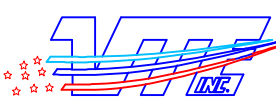
MAXIMUM RECOMMENDED FASTENER TORQUE:
BRASS JAM NUT: 240 IN./LBS.
S.S. JAM NUT: 180 IN./LBS.

BASE MATERIAL: GLASS-REINFORCED NYLON
BASE MATERIAL U.L. RATING: 94 HB

OPTIONAL ITEMS SHOWN FOR ILLUSTRATIVE
PURPOSE, NOT INCLUDED:

4/0 GA. TERMINAL LUGS (2 PLACES)

DO NOT SCALE

		VTE Incorporated 5437 Robinson Road, P.O. Box 790 Pellston, Michigan 49769 Telephone: 1-800-527-9256, 231-539-8000 FAX: 231-539-0914	
		REF: ***	DATE: 02JAN03
TITLE: POWER BUSHING 1/2" STUD 1/8" MAX PANEL			SCALE:
MATERIAL:		PART NO.	
COLOR: RED	DRG CLASS: ****	7B5050N02	