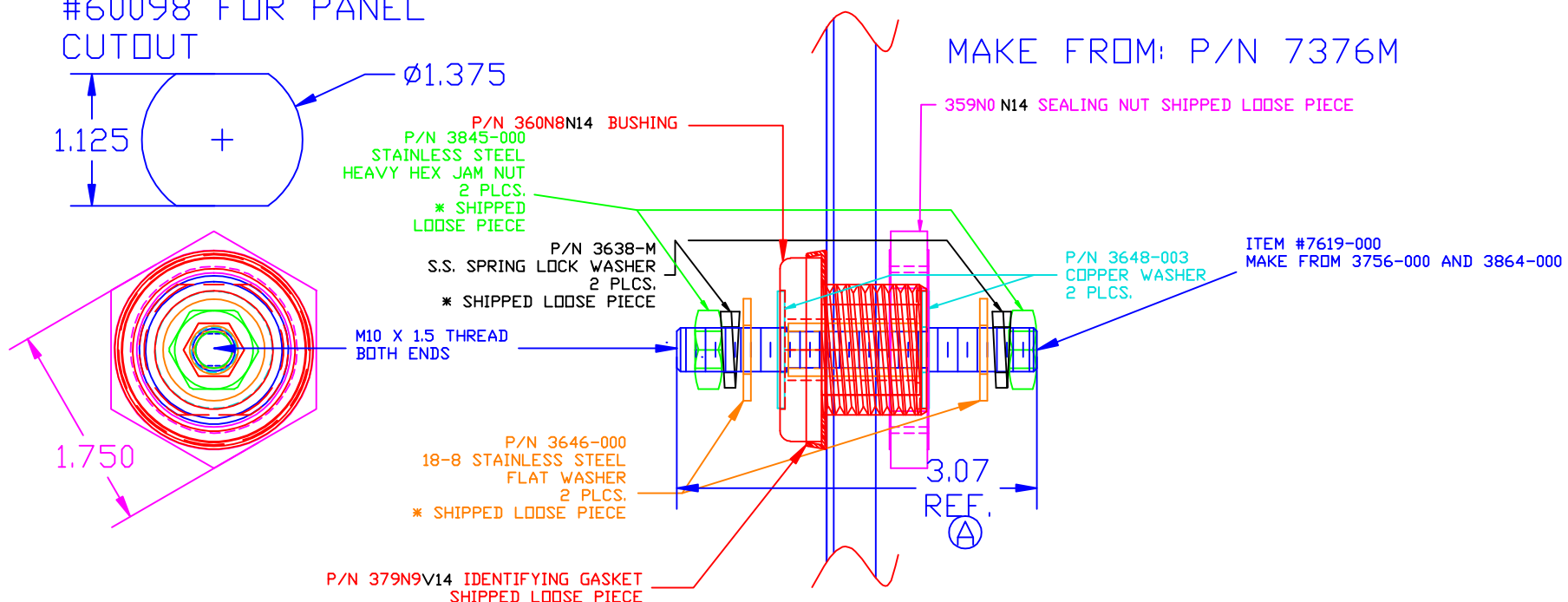


THE INFORMATION CONTAINED IN THIS DRAWING IS THE SOLE PROPERTY OF VTE INCORPORATED. ANY REPRODUCTION IN PART OR WHOLE WITHOUT THE WRITTEN PERMISSION OF VTE INCORPORATED IS PROHIBITED.

LTR.	REVISIONS	DATE
⌒	3.07' WAS 3.25'	11MAY10

USE GREENLEE
PUNCH ASSEMBLY
#60098 FOR PANEL
CUTOUT

MAKE FROM: P/N 7376M

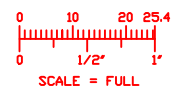


MAXIMUM FASTENER TORQUES:
 JAM NUTS: 15 FT./LBS. (180 IN./LBS.)
 SEALING NUT: 10 FT./LBS. (120 IN./LBS.)

CURRENT CARRYING CAPACITY: 550 AMPS @ 12VDC

BASE MATERIAL: GLASS-REINFORCED NYLON
 BASE MATERIAL U.L. RATING: 94 HB
 VTE MATERIAL P/N: 1111210514

TOLERANCE UNLESS OTHERWISE SPECIFIED:
 MOLDED PRODUCTS ONLY: ±0.30"/±0.8mm
 HARDWARE ITEMS: ±0.010"/±0.25mm
 RADIAL DIAMETERS TO BE MEASURED OVER MANDRELS,
 RING GAGES OR PIN GAGES OF SUITABLE SIZE



VTE Incorporated
 5437 Robinson Road, P.O. Box 790
 Pellston, Michigan 49769
 Telephone: 1-800-527-9256, 231-539-8000
 FAX: 231-539-0914

REF: *****	DATE: 29APR10	DRN BY: BRH	WEIGHT: *****
TITLE: POWER BUSHING, COPPER CORE 550 AMP (M10 X 1.5 METRIC)			SCALE:
MATERIAL:		PART NO.	
COLOR: *****	DRG CLASS *****	CCB376M0N14	