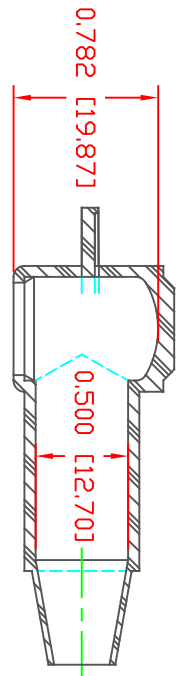
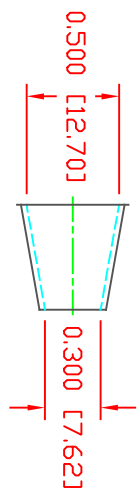
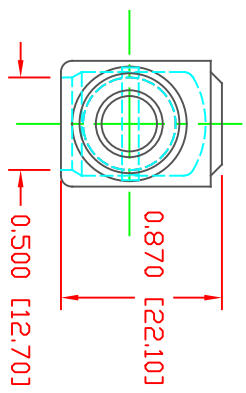


THE INFORMATION CONTAINED IN THIS DRAWING IS THE SOLE PROPERTY OF VTE INCORPORATED. ANY REPRODUCTION IN PART OR WHOLE WITHOUT THE WRITTEN PERMISSION OF VTE INCORPORATED IS PROHIBITED. VTE MAKES NO WARRANTY, EXPRESSED OR IMPLIED, AS TO THE SUITABILITY OF A PRODUCT FOR ANY INTENDED USE. THE CUSTOMER SHALL BEAR THE SOLE RESPONSIBILITY OF DETERMINING THE SUITABILITY OF ANY VTE PRODUCT FOR ITS END USE.

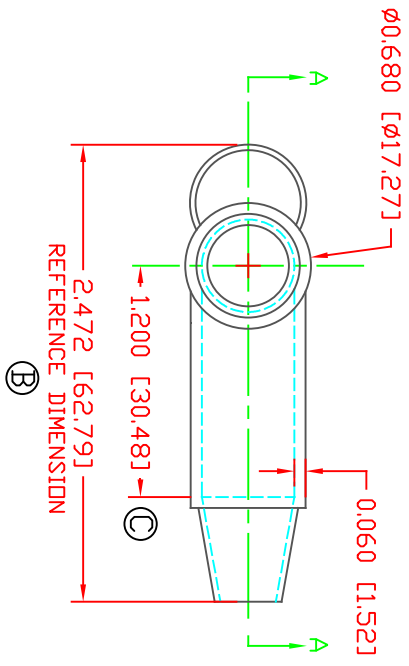
LR	REVISIONS	DATE	INT.
A	UPDATED OVERALL DIMENSIONS	08-27-14	JC
B	ADDED REFERENCE DIMENSION	02-22-16	RAS
C	UPDATED LENGTH DIMENSION FROM 1.250 (31.751)	07-22-22	RAS



SECTION A-A  
 TYP. WALL THICKNESS = .060" [1.5]  
 SEAL NO. 2 SHOWN

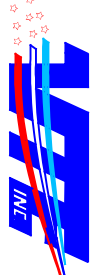


SEAL THICKNESS = .030" [.8]  
 NO. 2  
 Cable Gages  
 8 - 2



MATERIAL PART NO: 1101700114  
 MATERIAL: PVC  
 VENDOR PART NO: 7843-70-BLACK  
 SHORE DUREMETER: "A" 10 SEC. 70  
 SPECIFIC GRAVITY: 1.34  
 ULT. ELONGATION %: 350  
 MELTING TEMP: 320-340 F [160-171 C]  
 BRITTLE TEMP: -22 F [-30 C]  
 Tensile Strength PSI: 1500  
 Dielectric Strength, v./mil: 500  
 U.L. Rating: V0

SCALE FACTOR : NONE  
 ALL DIMENSIONS GIVEN AS IN [mm]  
 TOLERANCES UNLESS OTHERWISE SPECIFIED :  
 MOLDED PARTS: ±.030" [±0.8mm]  
 ALL ANGLES ARE ± 1 DEGREE



VTE Incorporated  
 5437 Robinson Road, P.O. Box 790  
 Pellston, Michigan 49769  
 Telephone: 1-800-527-9256, 231-539-8000  
 FAX: 231-539-0914

DD NOT SCALE

REF:	DATE:	DRN BY:	JC	WEIGHT:
CUSTOMER DIMS	10-05-93	CHK'D BY:	JC	.014 LBS [6.12 g]
TITLE: TERMINAL INSULATOR CAP				
MATERIAL: PVC		PART NO: 214E2F14		
COLOR: BLACK		DRG CLASS: REV C		