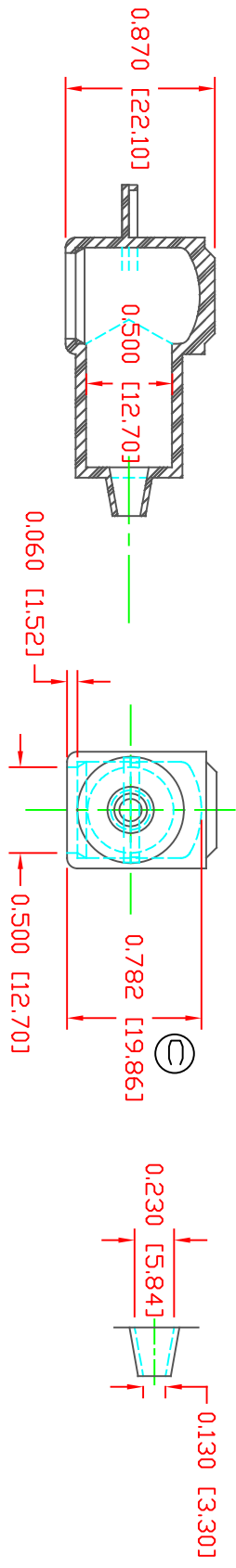


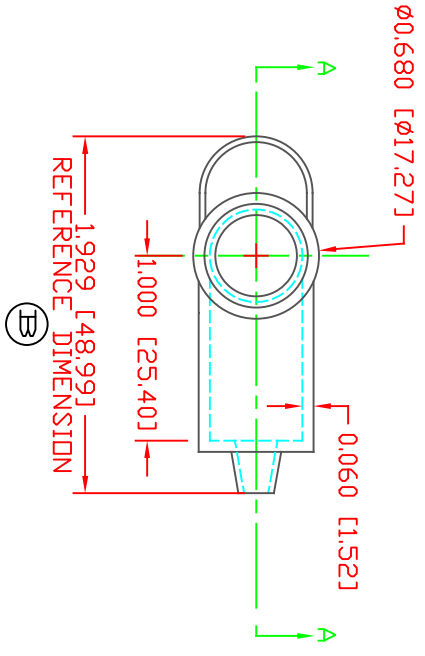
THE INFORMATION CONTAINED IN THIS DRAWING IS THE SOLE PROPERTY OF VTE INCORPORATED. ANY REPRODUCTION IN PART OR WHOLE WITHOUT THE WRITTEN PERMISSION OF VTE INCORPORATED IS PROHIBITED. VTE MAKES NO WARRANTY, EXPRESSED OR IMPLIED, AS TO THE SUITABILITY OF A PRODUCT FOR ANY INTENDED USE. THE CUSTOMER SHALL BEAR THE SOLE RESPONSIBILITY OF DETERMINING THE SUITABILITY OF ANY VTE PRODUCT FOR ITS END USE.

LR	REVISIONS	DATE	INT.
A	UPDATED OVERALL DIMENSIONS	08-27-14	JC
B	ADDED REFERENCE DIMENSION	02-25-16	RAS
C	UPDATED OVERALL INNER HEIGHT DIMENSION	11-14-17	RAS



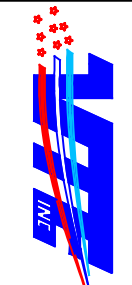
SECTION A-A
 TYP. WALL THICKNESS = .060" [1.5]
 SEAL NO. 1 SHOWN

SEAL THICKNESS = .030" [.8]
 ND. 1
 Wire Gages
 18 - 10



MATERIAL PART NO: 1101700114
 MATERIAL: PVC
 VENDOR PART NO: 7843-70-BLACK
 SHORE DUREMETER: "A" 10 SEC. 70
 SPECIFIC GRAVITY: 1.34
 ULT. ELONGATION %: 350
 MELTING TEMP: 320-340 F [160-171 C]
 BRITTLE TEMP: -22 F [-30 C]
 Tensile Strength PSI: 1500 PSI
 Dielectric Strength, v./mil: 500
 U.L. Rating: V0

SCALE FACTOR : NONE
 ALL DIMENSIONS GIVEN AS [in, [mm]]
 TOLERANCES UNLESS OTHERWISE SPECIFIED :
 MOLDED PARTS: ±.030" [±0.8mm]
 ALL ANGLES ARE ± 1 DEGREE



VTE Incorporated
 5437 Robinson Road, P.O. Box 790
 Pellston, Michigan 49769
 Telephone: 1-800-527-9256, 231-539-8000
 FAX: 231-539-0914

DD NOT SCALE

REF:	DATE:	DRN BY:	JC	WEIGHT:	
CUSTOMER DIMS	10-05-93	CHK'D BY:	JC	.013 LBS (5.90 g)	
TITLE:	TERMINAL INSULATOR CAP				
MATERIAL:	PVC	PART NO:	214N1F14		
COLOR:	BLACK	DRG CLASS	REV C		