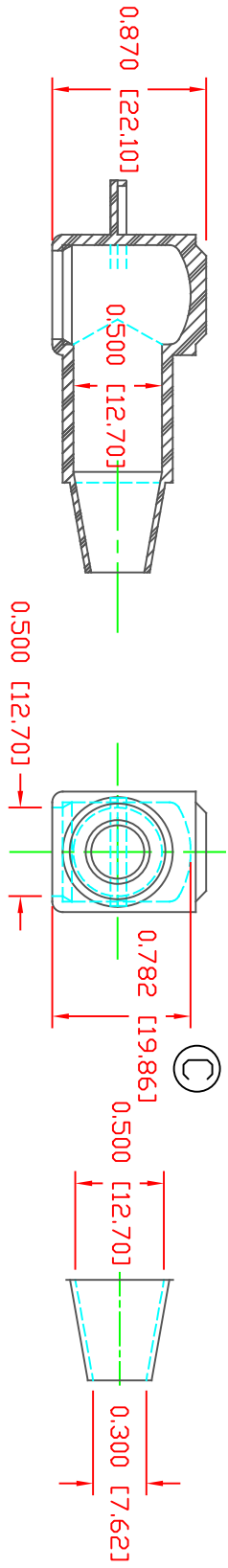
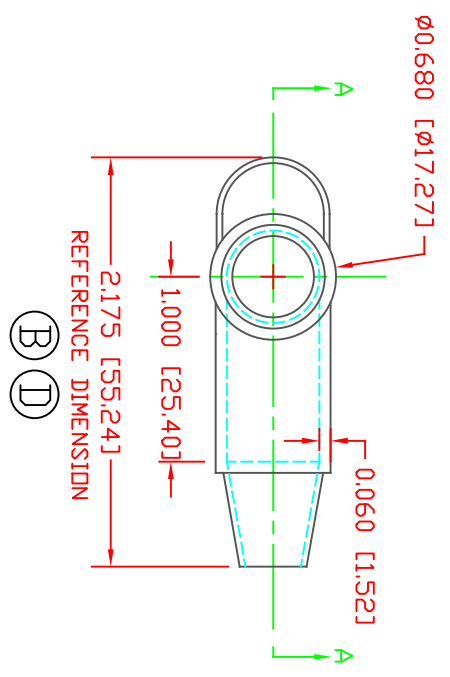


THE INFORMATION CONTAINED IN THIS DRAWING IS THE SOLE PROPERTY OF VTE INCORPORATED. ANY REPRODUCTION IN PART OR WHOLE WITHOUT THE WRITTEN PERMISSION OF VTE INCORPORATED IS PROHIBITED. VTE MAKES NO WARRANTY, EXPRESSED OR IMPLIED, AS TO THE SUITABILITY OF A PRODUCT FOR ANY INTENDED USE. THE CUSTOMER SHALL BEAR THE SOLE RESPONSIBILITY OF DETERMINING THE SUITABILITY OF ANY VTE PRODUCT FOR ITS END USE.



SECTION A-A
 TYP. WALL THICKNESS = .060" [1.5]
 SEAL NO. 2 SHOWN

SEAL THICKNESS = .030" [8]
 NO. 2
 Cable Gauges
 8 - 2



MATERIAL PART NO: 1101700102
 MATERIAL: PVC
 VENDOR PART NO: 7843-70-RED 6288
 SHORE DUREMETER: "A" 10 SEC. 70
 SPECIFIC GRAVITY: 1.34
 ULT. ELONGATION %: 350
 MELTING TEMP: 320-340 F [160-171 C]
 BRITTLE TEMP: -22 F [-30 C]
 Tensile Strength PSI: 1550
 Dielectric Strength, v./mil: 553
 UL Rating: V0

DD NOT SCALE

LR	REVISIONS	DATE	INT.
A	UPDATED OVERALL DIMENSIONS	08-27-14	JC
B	ADDED REFERENCE DIMENSION	02-25-16	RAS
C	UPDATED OVERALL INNER HEIGHT DIMENSION	11-14-17	RAS
D	UPDATED OVERALL REFERENCE DIMENSION FROM 222 [56.9]	07-22-22	RAS

SCALE FACTOR : NONE
 ALL DIMENSIONS GIVEN AS IN [mm]
 TOLERANCES UNLESS OTHERWISE SPECIFIED :
 MOLDED PARTS: ±.030" [±0.8mm]
 ALL ANGLES ARE ± 1 DEGREE

VTE Incorporated
 5437 Robinson Road, P.O. Box 790
 Pellston, Michigan 49769
 Telephone: 1-800-527-9256, 231-539-8000
 FAX: 231-539-0914

REF:	DATE:	DRN BY:	JC	WEIGHT:
CUSTOMER DIMS	10-05-93	CHK'D BY:	JC	.013 LBS [5.90 g]
TITLE: TERMINAL INSULATOR CAP				
MATERIAL:	PVC	PART NO: 214N2F02		
COLOR:	RED	DRG CLASS	REV D	