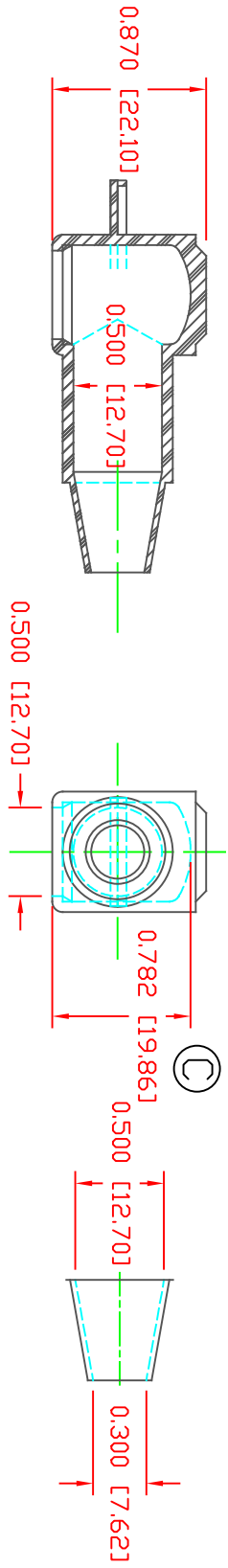
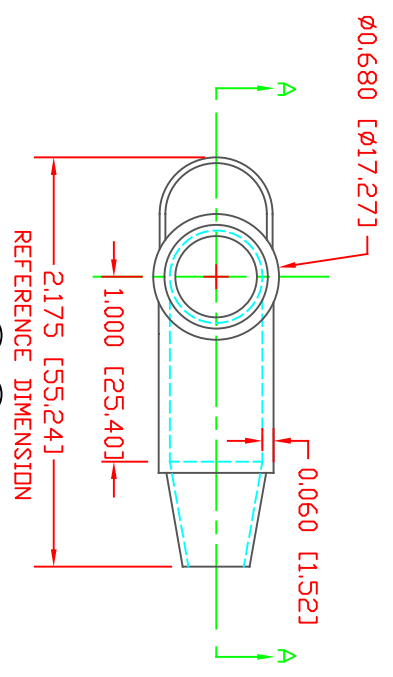


THE INFORMATION CONTAINED IN THIS DRAWING IS THE SOLE PROPERTY OF VTE INCORPORATED. ANY REPRODUCTION IN PART OR WHOLE WITHOUT THE WRITTEN PERMISSION OF VTE INCORPORATED IS PROHIBITED. VTE MAKES NO WARRANTY, EXPRESSED OR IMPLIED, AS TO THE SUITABILITY OF A PRODUCT FOR ANY INTENDED USE. THE CUSTOMER SHALL BEAR THE SOLE RESPONSIBILITY OF DETERMINING THE SUITABILITY OF ANY VTE PRODUCT FOR ITS END USE.



SECTION A-A
 TYP. WALL THICKNESS = .060" [1.5]
 SEAL ND. 2 SHOWN

SEAL THICKNESS = .030" [8]
 ND. 2
 Cable Gauges
 8 - 2




(B) (D)

MATERIAL PART NO: 1101650105
 MATERIAL: PVC
 VENDOR PART NO: 9812-65-YELLOW 405
 SHORE DUREMETER: "A" 10 SEC. 65
 SPECIFIC GRAVITY: 1.34
 ULT. ELONGATION %: 400
 MELTING TEMP: 315-335 F [157-168 C]
 BRITTLE TEMP: -54 F [-48 C]
 Tensile Strength PSI: 1550
 Dielectric Strength, v./mil: 514
 UL Rating: V2

DD NOT SCALE

LR.	REVISIONS	DATE	INT.
A	UPDATED OVERALL DIMENSIONS	08-27-14	JC
B	ADDED REFERENCE DIMENSION	02-25-16	RAS
C	UPDATED OVERALL INNER HEIGHT DIMENSION	11-14-17	RAS
D	UPDATED OVERALL REFERENCE DIMENSION FROM 222 [56.9]	07-22-22	RAS

SCALE FACTOR : NONE
 ALL DIMENSIONS GIVEN AS [in, [mm]]
 TOLERANCES UNLESS OTHERWISE SPECIFIED :
 MOLDED PARTS: ±.030" [±0.8mm]
 ALL ANGLES ARE ± 1 DEGREE



VTE Incorporated
 5437 Robinson Road, P.O. Box 790
 Pellston, Michigan 49769
 Telephone: 1-800-927-9256, 231-539-8000
 FAX: 231-539-0914

REF.	DATE:	DRN BY:	JC	WEIGHT:
CUSTOMER DIMS	10-05-93	CHK'D BY:	JC	.013 LBS [5.90 g]
TITLE: TERMINAL INSULATOR CAP				
MATERIAL: PVC		PART NO: 214N2V05		
COLOR: YELLOW		DRG CLASS: REV D		