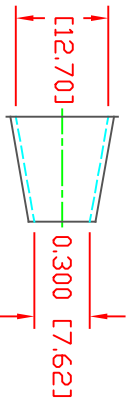
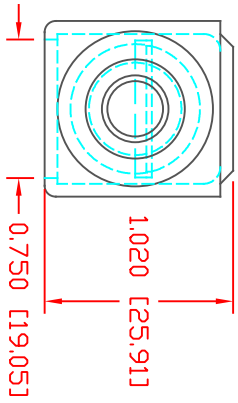
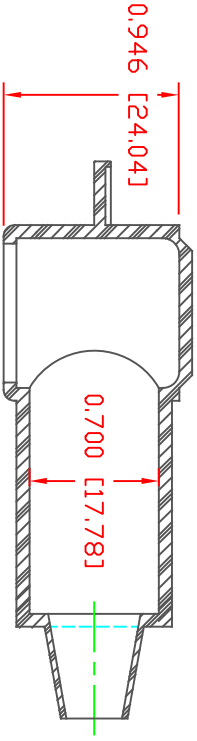


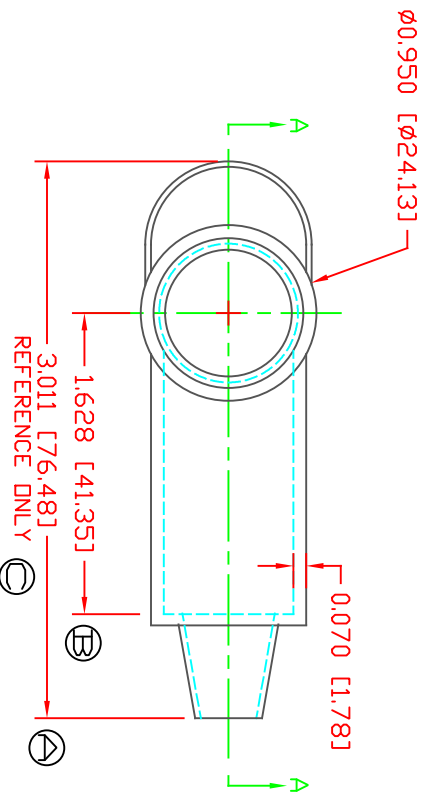
THE INFORMATION CONTAINED IN THIS DRAWING IS THE SOLE PROPERTY OF VTE INCORPORATED. ANY REPRODUCTION IN PART OR WHOLE WITHOUT THE WRITTEN PERMISSION OF VTE INCORPORATED IS PROHIBITED. VTE MAKES NO WARRANTY, EXPRESSED OR IMPLIED, AS TO THE SUITABILITY OF A PRODUCT FOR ANY INTENDED USE. THE CUSTOMER SHALL BEAR THE SOLE RESPONSIBILITY OF DETERMINING THE SUITABILITY OF ANY VTE PRODUCT FOR ITS END USE.



SECTION A-A
 TYP. WALL THICKNESS = .070" [1.8]
 SEAL ND. 2 SHOWN


SEAL THICKNESS = .030" [.8]

ND. 2
 Cable Gages
 8 - 2



MATERIAL PART NO: 1101700109
 MATERIAL: BLUE PVC
 VENDOR PART NO: 7844-70 BLUE 1812
 SPECIFIC GRAVITY: 1.36
 HARDNESS 10 SEC: 70
 HARDNESS SCALE: A
 TENSILE STRENGTH, PSI: 1100
 ELONGATION, %: 310
 TEAR STRENGTH, PPI: 200
 FLAME CLASS UL: HB
 MELT TEMP., DEGREES F [C]: 320-340 [160-171]
 DIELECTRIC STRENGTH, V./MIL: N/A

SCALE FACTOR : NONE
 ALL DIMENSIONS GIVEN AS: in [mm]
 TOLERANCES UNLESS OTHERWISE SPECIFIED :
 MOLDED PARTS: ±.030" [±0.8mm]
 ALL ANGLES ARE ± 1 DEGREE



VTE Incorporated
 5437 Robinson Road, P.O. Box 790
 Pellston, Michigan 49769
 Telephone: 1-800-527-9256, 231-539-8000
 FAX: 231-539-0914

DD NOT SCALE

LR	REVISIONS	DATE	INT.
A	UPDATED DIMENSION FROM 79.7 TO 76.5	02-25-16	RAS
B	UPDATED DIMENSION FROM 44.5 TO 41.35	02-25-16	RAS
C	ADDED REFERENCE DIMENSION	02-25-16	RAS
D	UPDATED BLUE MATERIAL INFORMATION	08-01-22	RAS

REF:	DATE:	DRN BY:	JC	WEIGHT:
CUSTOMER DIMS	03-20-98	CHK'D BY:	JC	.024 LBS [10.8 g]
TITLE: TERMINAL INSULATOR CAP				
MATERIAL: PVC		PART NO:		
COLOR: BLUE		220E2V09		