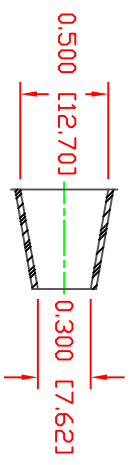
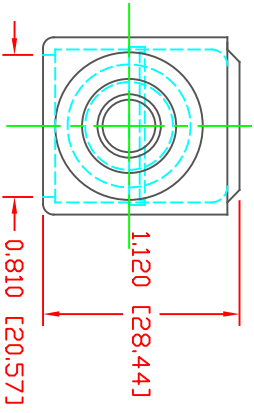
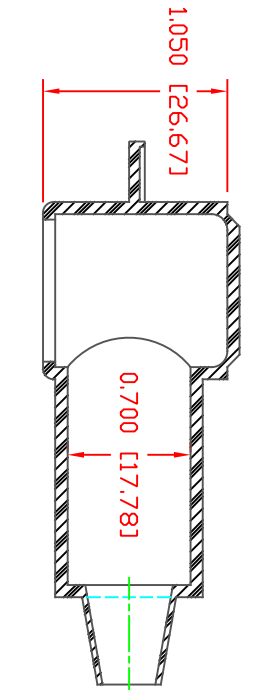


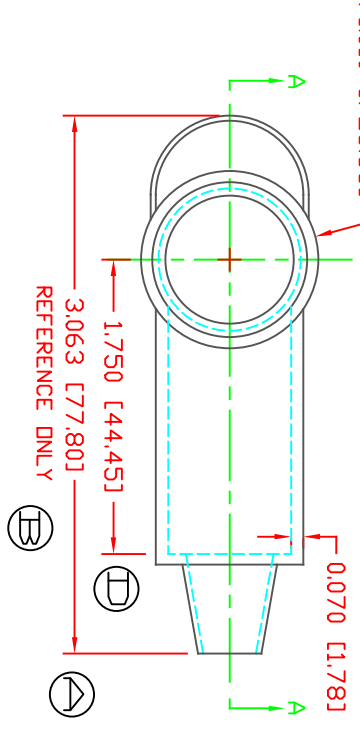
THE INFORMATION CONTAINED IN THIS DRAWING IS THE SOLE PROPERTY OF VTE INCORPORATED. ANY REPRODUCTION IN PART OR WHOLE WITHOUT THE WRITTEN PERMISSION OF VTE INCORPORATED IS PROHIBITED. VTE MAKES NO WARRANTY, EXPRESSED OR IMPLIED, AS TO THE SUITABILITY OF A PRODUCT FOR ANY INTENDED USE. THE CUSTOMER SHALL BEAR THE SOLE RESPONSIBILITY OF DETERMINING THE SUITABILITY OF ANY VTE PRODUCT FOR ITS END USE.



SECTION A-A  
TYP. WALL THICKNESS = .060" [1.8]

SEAL THICKNESS = .030" [.8]

NO. 2  
Cable Gages  
8 - 2




SCALE FACTOR : NONE  
ALL DIMENSIONS GIVEN AS: in [mm]  
TOLERANCES UNLESS OTHERWISE SPECIFIED :  
MOLDED PARTS: ±.030" [±0.9mm]  
ALL ANGLES ARE ± 1 DEGREE

MATERIAL PART NO: 1101700102  
MATERIAL: PVC  
VENDOR PART NO: 7843-70-RED 6288  
SHORE DUREMETER: 74" 10 SEC. 70  
SPECIFIC GRAVITY: 1.34  
ULT. ELONGATION %: 350  
MELTING TEMP: 320-340 F [160-171 C]  
BRITTLE TEMP: -22 F [-30 C]  
Tensile Strength PSI: 1550 PSI  
Dielectric Strength, v./mil: 553  
UL Rating: V0

DD NOT SCALE

LR	REVISIONS	DATE	INT.
A	UPDATED DIMENSION 77.8 WAS 79.7	12-09-12	JC
B	ADDED REFERENCE DIMENSION	02-25-16	RAS
C	UPDATED BLUE MATERIAL INFORMATION	08-01-22	RAS
D	1.750 [44.45] WAS 1.676 [42.57]	09-25-23	RAS



VTE Incorporated  
5437 Robinson Road, P.O. Box 790  
Pellston, Michigan 49769  
Telephone: 1-800-927-9256, 231-539-8000  
FAX: 231-539-0914

REF:	DATE:	DRN BY:	JC	WEIGHT:
CUSTOMER DIMS	03-24-98	CHK'D BY:	JC	.025 LBS [11.5 g]
TITLE:	TERMINAL INSULATOR CAP			
MATERIAL:	PVC	PART NO:	222E2F02	
COLOR:	RED	DRG CLASS	REV D	