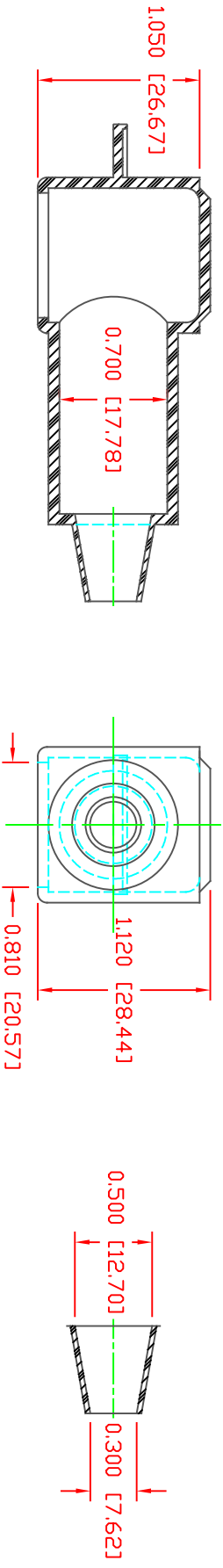


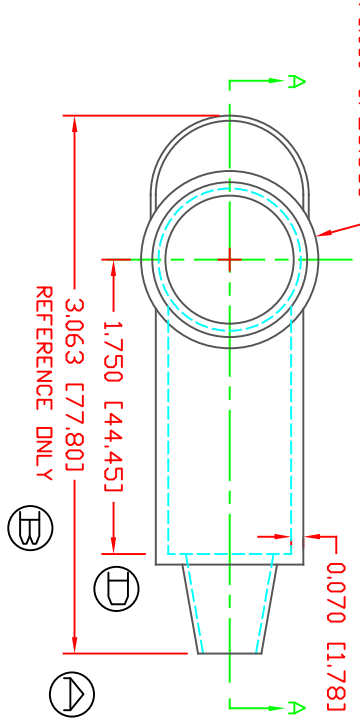
THE INFORMATION CONTAINED IN THIS DRAWING IS THE SOLE PROPERTY OF VTE INCORPORATED. ANY REPRODUCTION IN PART OR WHOLE WITHOUT THE WRITTEN PERMISSION OF VTE INCORPORATED IS PROHIBITED. VTE MAKES NO WARRANTY, EXPRESSED OR IMPLIED, AS TO THE SUITABILITY OF A PRODUCT FOR ANY INTENDED USE. THE CUSTOMER SHALL BEAR THE SOLE RESPONSIBILITY OF DETERMINING THE SUITABILITY OF ANY VTE PRODUCT FOR ITS END USE.



SECTION A-A
TYP. WALL THICKNESS = .060" [1.8]

SEAL THICKNESS = .030" [.8]

NO. 2
Cable Gages
8 - 2



SCALE FACTOR : NONE
ALL DIMENSIONS GIVEN AS: in [mm]
TOLERANCES UNLESS OTHERWISE SPECIFIED :
MOLDED PARTS: $\pm 0.30^{\circ}$ [$\pm 0.9mm$]
ALL ANGLES ARE ± 1 DEGREE



MATERIAL PART NO: 1101700109
 VENDOR PART NO: BLUE PVC
 SPECIFIC GRAVITY: 7844-70 BLUE 1812
 HARDNESS 10 SEC: 1.36
 HARDNESS SCALE: 70
 TENSILE STRENGTH, PSI: A
 ELONGATION, %: 1100
 TEAR STRENGTH, PPI: 310
 FLAME CLASS UL: 200
 MELT TEMP., DEGREES F [C]: HB
 DIELECTRIC STRENGTH, V./MIL: 320-340 [160-171]
 N/A



VTE Incorporated
 5437 Robinson Road, P.O. Box 790
 Pellston, Michigan 49769
 Telephone: 1-800-927-9256, 231-539-8000
 FAX: 231-539-0914

| LR | REVISIONS | DATE | INT. |
|----|-----------------------------------|----------|------|
| A | UPDATED DIMENSION 77.8 WAS 79.7 | 12-09-12 | JC |
| B | ADDED REFERENCE DIMENSION | 02-25-16 | RAS |
| C | UPDATED BLUE MATERIAL INFORMATION | 08-01-22 | RAS |
| D | 1.750 [44.45] WAS 1.676 [42.57] | 09-25-23 | RAS |

DD NOT SCALE

| | | | | |
|-------------------------------|----------|-------------------|-------|-------------------|
| REF: | DATE: | DRN BY: | JC | WEIGHT: |
| CUSTOMER DIMS | 03-24-98 | CHK'D BY: | JC | .025 LBS [11.5 g] |
| TITLE: TERMINAL INSULATOR CAP | | | | |
| MATERIAL: | PVC | PART NO: 222E2V09 | | |
| COLOR: | BLUE | DRG CLASS | REV D | |