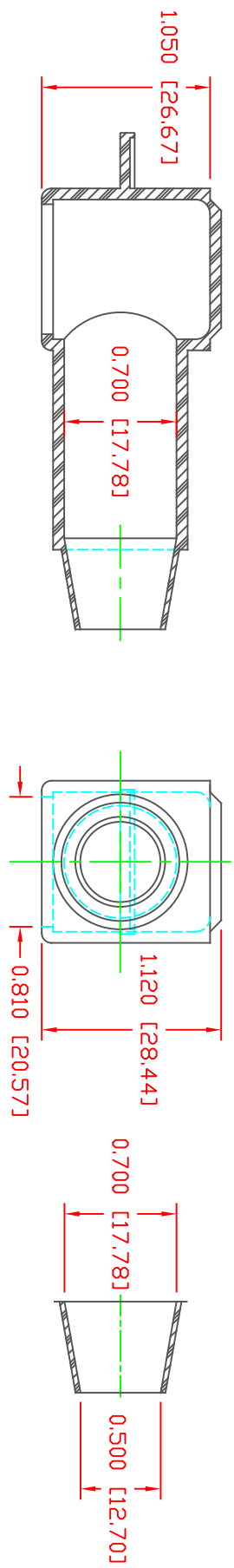


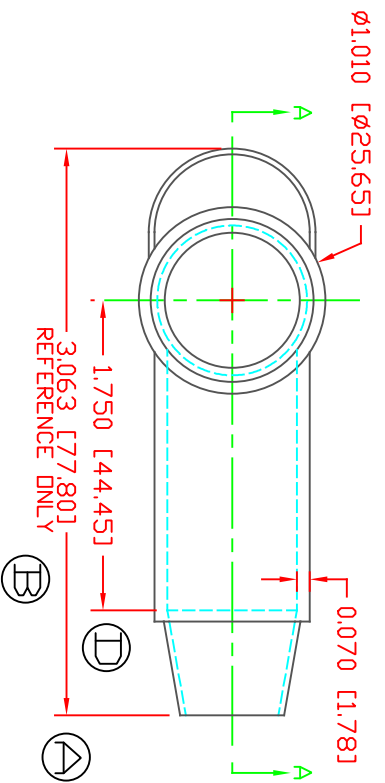
THE INFORMATION CONTAINED IN THIS DRAWING IS THE SOLE PROPERTY OF VTE INCORPORATED. ANY REPRODUCTION IN PART OR WHOLE WITHOUT THE WRITTEN PERMISSION OF VTE INCORPORATED IS PROHIBITED. VTE MAKES NO WARRANTY, EXPRESSED OR IMPLIED, AS TO THE SUITABILITY OF A PRODUCT FOR ANY INTENDED USE. THE CUSTOMER SHALL BEAR THE SOLE RESPONSIBILITY OF DETERMINING THE SUITABILITY OF ANY VTE PRODUCT FOR ITS END USE.

LR	REVISIONS	DATE	INT.
A	UPDATED DIMENSION 77.8 WAS 79.7	12-09-12	JC
B	ADDED REFERENCE DIMENSION	02-25-16	RAS
C	UPDATED BLUE MATERIAL INFORMATION	08-01-22	RAS
D	1.750 [44.45] WAS 1.676 [42.571]	09-25-23	RAS



SECTION A-A
 TYP. WALL THICKNESS = .070" [1.8]
 SEAL NO. 3 SHOWN

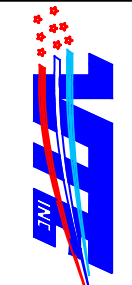
SEAL THICKNESS = .030" [.8]
 ND. 3
 Cable Gages
 2 - 2/0



SCALE FACTOR: NONE
 ALL DIMENSIONS GIVEN AS: in [mm]
 TOLERANCES UNLESS OTHERWISE SPECIFIED:
 MOLDED PARTS: $\pm 0.30^\circ$ [$\pm 0.8mm$]
 ALL ANGLES ARE ± 1 DEGREE

MATERIAL PART NO: 7203640102
 MATERIAL: SANTOPRENE 201-64
 VENDOR PART NO: TYPE AES 201-64 NAT SANTOPRENE
 SHORE DUREMETER: "A" 15 SEC. 69
 SPECIFIC GRAVITY: .97
 ULT. ELONGATION %: 450
 MELTING TEMP: 380-450 F [193-232 C]
 BRITTLE TEMP: -76 F [-60 C]
 TENSILE STRENGTH PSI: 1020
 DIELECTRIC STRENGTH, v./mil: 750
 UL RATING: HB

DD NOT SCALE



VTE Incorporated
 5437 Robinson Road, P.O. Box 790
 Pellston, Michigan 49769
 Telephone: 1-800-527-9256, 231-539-8000
 FAX: 231-539-0914

REF.	DATE:	DRN BY:	JC	WEIGHT:
CUSTOMER DIMS	03-24-98	CHK'D BY:	JC	.025 LBS [11.5 g]
TITLE: TERMINAL INSULATOR CAP				
MATERIAL: SANTOPRENE		PART NO: 222E3T02		
COLOR: RED		DRG CLASS: REV D		