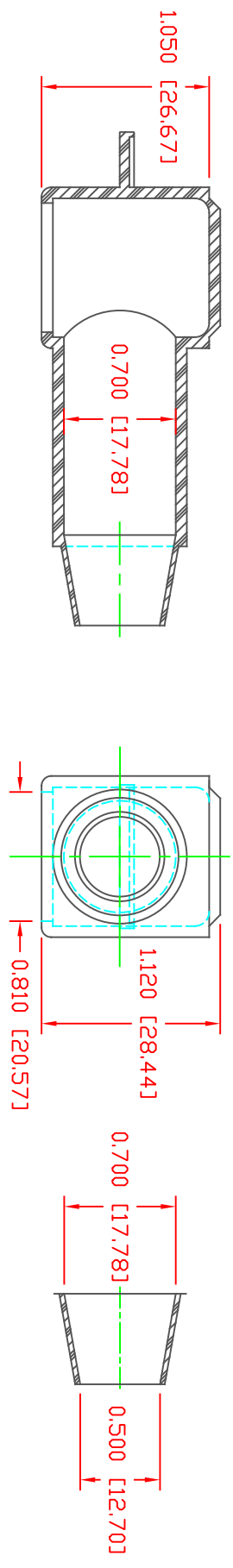


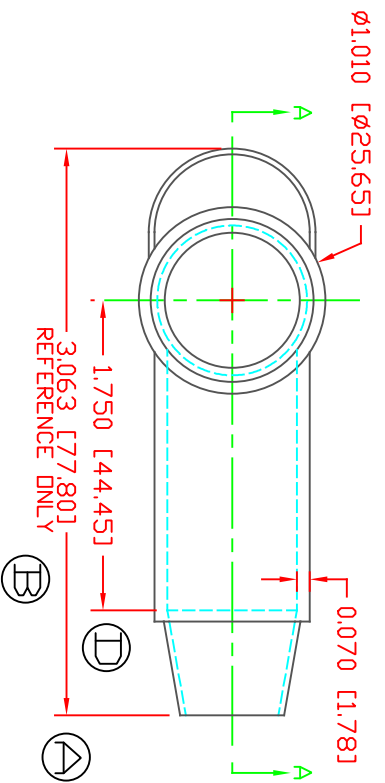
THE INFORMATION CONTAINED IN THIS DRAWING IS THE SOLE PROPERTY OF VTE INCORPORATED. ANY REPRODUCTION IN PART OR WHOLE WITHOUT THE WRITTEN PERMISSION OF VTE INCORPORATED IS PROHIBITED. VTE MAKES NO WARRANTY, EXPRESSED OR IMPLIED, AS TO THE SUITABILITY OF A PRODUCT FOR ANY INTENDED USE. THE CUSTOMER SHALL BEAR THE SOLE RESPONSIBILITY OF DETERMINING THE SUITABILITY OF ANY VTE PRODUCT FOR ITS END USE.

| LR. | REVISIONS                         | DATE     | INT. |
|-----|-----------------------------------|----------|------|
| A   | UPDATED DIMENSION 77.8 WAS 79.7   | 12-09-12 | JC   |
| B   | ADDED REFERENCE DIMENSION         | 02-25-16 | RAS  |
| C   | UPDATED BLUE MATERIAL INFORMATION | 08-01-22 | RAS  |
| D   | 1.750 [44.45] WAS 1.676 [42.571]  | 09-25-23 | RAS  |




SECTION A-A  
 TYP. WALL THICKNESS = .070" [1.8]  
 SEAL ND. 3 SHOWN

SEAL THICKNESS = .030" [.8]  
 ND. 3  
 Cable Gauges  
 2 - 2/0



MATERIAL PART NO: 1101650102  
 MATERIAL: PVC  
 VENDOR PART NO: 9812-65-RED 683  
 SHORE DUREMETER: "A" 10 SEC. 65  
 SPECIFIC GRAVITY: 1.34  
 ULT. ELONGATION %: 400  
 MELTING TEMP: 315-335 F [157-168 C]  
 BRITTLE TEMP: -54 F [-48 C]  
 Tensile Strength PSI: 1550 PSI  
 Dielectric Strength, v./mil: 511  
 U.L. Rating: V2

SCALE FACTOR : NONE  
 ALL DIMENSIONS GIVEN AS: in [mm]  
 TOLERANCES UNLESS OTHERWISE SPECIFIED :  
 MOLDED PARTS: ±.030" [±0.8mm]  
 ALL ANGLES ARE ± 1 DEGREE



VTE Incorporated  
 5437 Robinson Road, P.O. Box 790  
 Pellston, Michigan 49769  
 Telephone: 1-800-527-9256, 231-539-8000  
 FAX: 231-539-0914

DD NOT SCALE

| REF.                          | DATE:    | DRN BY:           | JC | WEIGHT:           |
|-------------------------------|----------|-------------------|----|-------------------|
| CUSTOMER DIMS                 | 03-24-98 | CHK'D BY:         | JC | .025 LBS [11.5 g] |
| TITLE: TERMINAL INSULATOR CAP |          |                   |    |                   |
| MATERIAL: PVC                 |          | PART NO: 222E3V02 |    |                   |
| COLOR: RED                    |          | DRG CLASS: REV D  |    |                   |