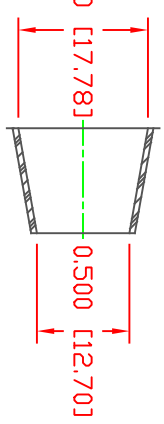
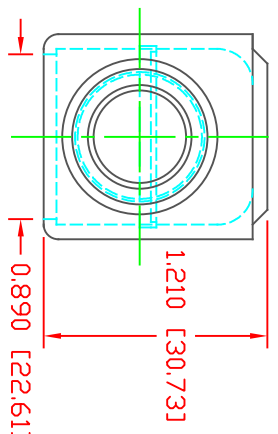
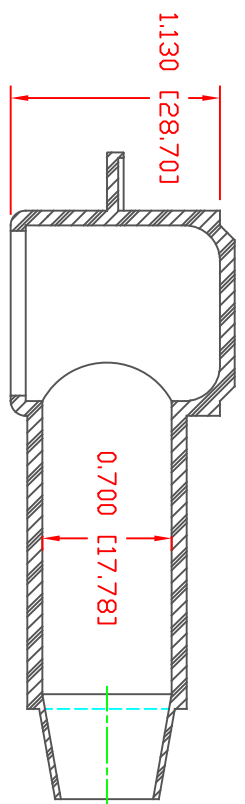
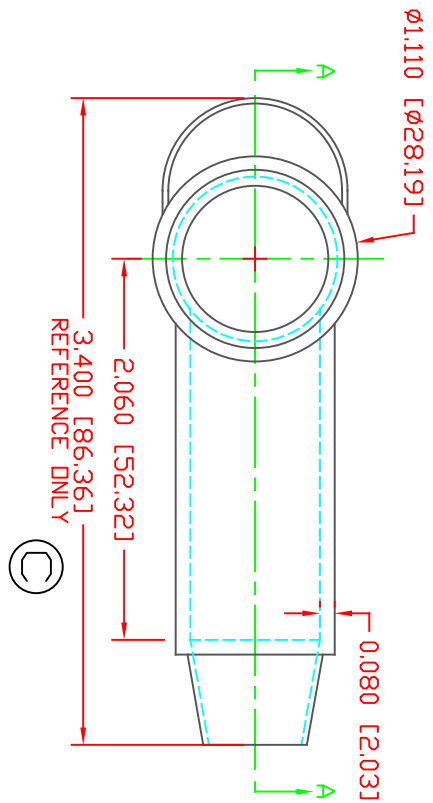


THE INFORMATION CONTAINED IN THIS DRAWING IS THE SOLE PROPERTY OF VTE INCORPORATED. ANY REPRODUCTION IN PART OR WHOLE WITHOUT THE WRITTEN PERMISSION OF VTE INCORPORATED IS PROHIBITED. VTE MAKES NO WARRANTY, EXPRESSED OR IMPLIED, AS TO THE SUITABILITY OF A PRODUCT FOR ANY INTENDED USE. THE CUSTOMER SHALL BEAR THE SOLE RESPONSIBILITY OF DETERMINING THE SUITABILITY OF ANY VTE PRODUCT FOR ITS END USE.



SECTION A-A  
 TYP. WALL THICKNESS = .080" [2.03]  
 SEAL ND. 3 SHOWN

SEAL THICKNESS = .030" [8]  
 ND. 3  
 Cable Gages  
 2 - 2/0

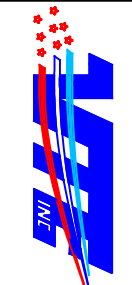


MATERIAL PART NO: 1101700114  
 MATERIAL: PVC  
 VENDOR PART NO: 7843-70-BLACK  
 SHORE DUREMETER: "A" 10 SEC. 70  
 SPECIFIC GRAVITY: 1.34  
 ULT. ELONGATION %: 350  
 MELTING TEMP: 320-340 F [160-171 C]  
 BRITTLE TEMP: -22 F [-30 C]  
 Tensile Strength PSI: 1500  
 Dielectric Strength, v./mil: 500  
 U.L. Rating: V0

DD NOT SCALE

| LR. | REVISIONS                                       | DATE     | INT. |
|-----|---|----------|------|
| A   | ADDED REFERENCE DIMENSION                       | 02-25-16 | RAS  |
| B   | UPDATED BLUE MATERIAL INFORMATION               | 08-01-22 | RAS  |
| C   | UPDATED REFERENCE DIMENSION FROM 3.497 (88.883) | 11-12-24 | RAS  |

SCALE FACTOR: NONE  
 ALL DIMENSIONS GIVEN AS: in [mm]  
 TOLERANCES UNLESS OTHERWISE SPECIFIED:  
 MOLDED PARTS: ±0.30" [±0.8mm]  
 ALL ANGLES ARE ± 1 DEGREE



VTE Incorporated  
 5437 Robinson Road, P.O. Box 790  
 Pellston, Michigan 49769  
 Telephone: 1-800-927-9256, 231-539-8000  
 FAX: 231-539-0914

|                               |          |           |          |                   |
|-------------------------------|----------|-----------|----------|-------------------|
| REF:                          | DATE:    | DRN BY:   | JC       | WEIGHT:           |
| CUSTOMER DIMS                 | 03-24-98 | CHK'D BY: | JC       | .035 LBS [15.9 g] |
| TITLE: TERMINAL INSULATOR CAP |          |           |          |                   |
| MATERIAL:                     | PVC      | PART NO:  | 224E3F14 |                   |
| COLOR:                        | BLACK    | DRG CLASS | REV C    |                   |