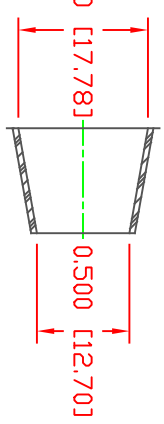
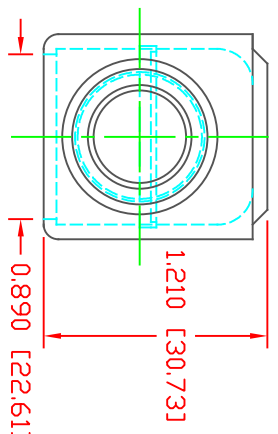
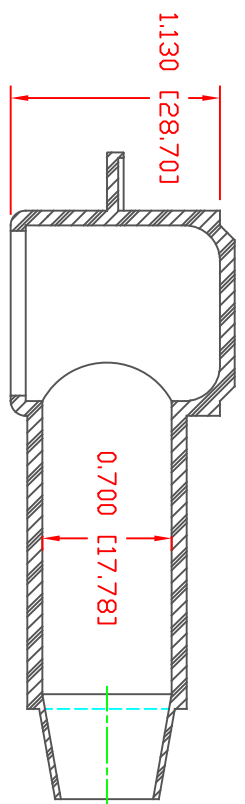
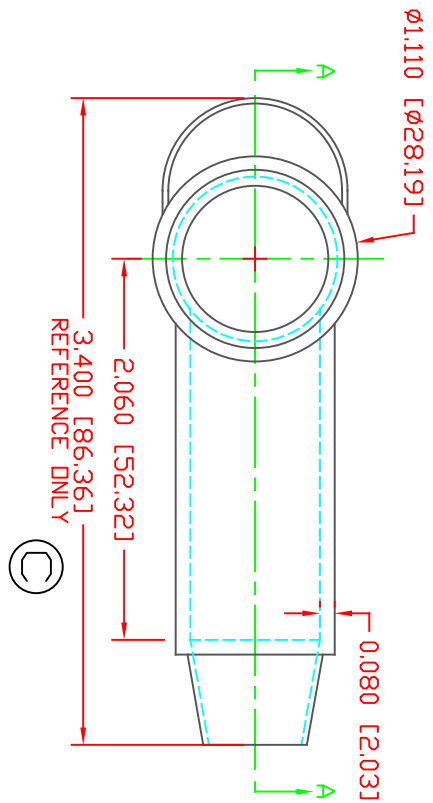


THE INFORMATION CONTAINED IN THIS DRAWING IS THE SOLE PROPERTY OF VTE INCORPORATED. ANY REPRODUCTION IN PART OR WHOLE WITHOUT THE WRITTEN PERMISSION OF VTE INCORPORATED IS PROHIBITED. VTE MAKES NO WARRANTY, EXPRESSED OR IMPLIED, AS TO THE SUITABILITY OF A PRODUCT FOR ANY INTENDED USE. THE CUSTOMER SHALL BEAR THE SOLE RESPONSIBILITY OF DETERMINING THE SUITABILITY OF ANY VTE PRODUCT FOR ITS END USE.



SECTION A-A  
 TYP. WALL THICKNESS = .080" [2.03]  
 SEAL ND. 3 SHOWN

SEAL THICKNESS = .030" [8]  
 ND. 3  
 Cable Gages  
 2 - 2/0




MATERIAL PART NO: 1101650105  
 MATERIAL: PVC  
 VENDOR PART NO: 9812-65-YELLOW 405  
 SHORE DUREMETER: "A" 10 SEC. 65  
 SPECIFIC GRAVITY: 1.34  
 ULT. ELONGATION %: 400  
 MELTING TEMP: 315-335 F [157-168 C]  
 BRITTLE TEMP: -54 F [-48 C]  
 Tensile Strength PSI: 1550 PSI  
 Dielectric Strength, v./mil: 514  
 UL Rating: V2

DD NOT SCALE

LR	REVISIONS	DATE	INT.
A	ADDED REFERENCE DIMENSION	02-25-16	RAS
B	UPDATED BLUE MATERIAL INFORMATION	08-01-22	RAS
C	UPDATED REFERENCE DIMENSION FROM 3.497 (88.883)	11-12-24	RAS

SCALE FACTOR : NONE  
 ALL DIMENSIONS GIVEN AS: in (mm)  
 TOLERANCES UNLESS OTHERWISE SPECIFIED :  
 MOLDED PARTS: ±0.30" (±0.8mm)  
 ALL ANGLES ARE ± 1 DEGREE



**VTE Incorporated**  
 5437 Robinson Road, P.O. Box 790  
 Pellston, Michigan 49769  
 Telephone: 1-800-927-9256, 231-539-8000  
 FAX: 231-539-0914

REF.	DATE:	DRN BY:	JC	WEIGHT:
CUSTOMER DIMS	03-24-98	CHK'D BY:	JC	.035 LBS [15.9 g]
TITLE: TERMINAL INSULATOR CAP				
MATERIAL: PVC		PART NO: 224E3V05		
COLOR: YELLOW		DRG CLASS REV C		