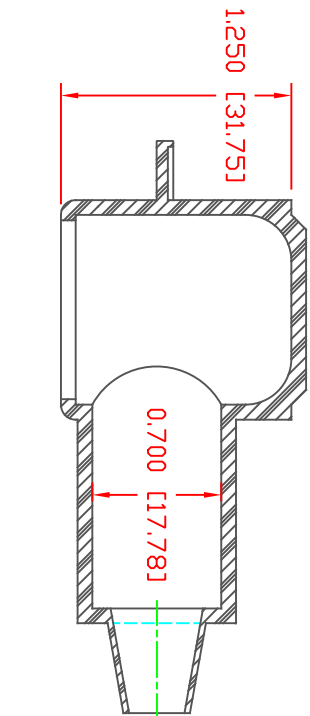
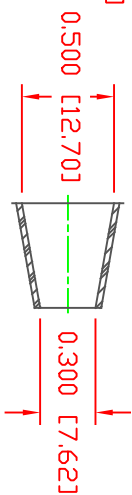
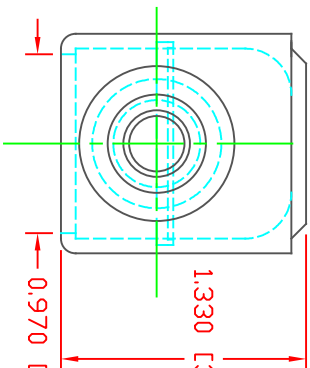


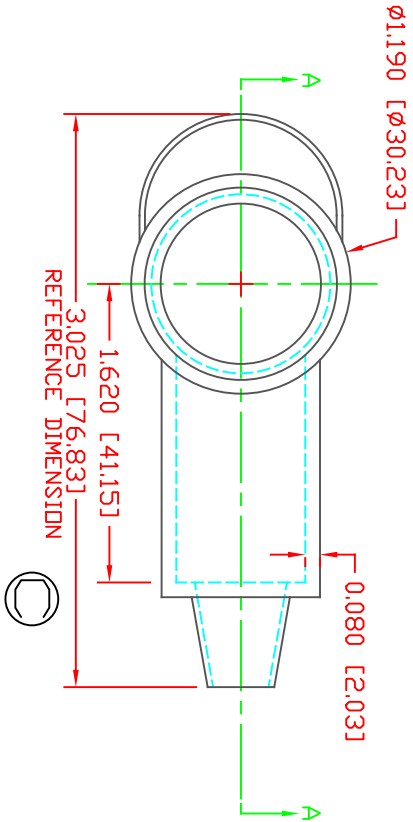
THE INFORMATION CONTAINED IN THIS DRAWING IS THE SOLE PROPERTY OF VTE INCORPORATED. ANY REPRODUCTION IN PART OR WHOLE WITHOUT THE WRITTEN PERMISSION OF VTE INCORPORATED IS PROHIBITED. VTE MAKES NO WARRANTY, EXPRESSED OR IMPLIED, AS TO THE SUITABILITY OF A PRODUCT FOR ANY INTENDED USE. THE CUSTOMER SHALL BEAR THE SOLE RESPONSIBILITY OF DETERMINING THE SUITABILITY OF ANY VTE PRODUCT FOR ITS END USE.



SECTION A-A
TYP. WALL THICKNESS = .080" [2.0]
SEAL NO. 2 SHOWN



SEAL THICKNESS = .030" [.8]
ND. 2
Cable Gages
8 - 2

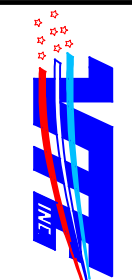


VTE PART NO: 1101700102
MATERIAL: PVC
VENDOR PART NO: 7843-70-RED 6288
SHORE DUREMETER: 7A" 10 SEC. 70
SPECIFIC GRAVITY: 1.34
ULT. ELONGATION %: 350
MELTING TEMP: 320-340 F [160-171 C]
BRITTLE TEMP: -22 F [-30 C]
Tensile Strength PSI: 1550
Dielectric Strength, v./mil: 553
UL Rating: V0

DD NOT SCALE

LR	REVISIONS	DATE	INT.
A	ADDED REFERENCE DIMENSION	02-25-16	RAS
B	UPDATED BLUE MATERIAL INFORMATION	08-01-22	RAS
C	3.025 [76.83] WAS 3.107 [78.92]	11-18-24	RAS

ALL DIMENSIONS GIVEN AS: In [mm]
MOLDED PARTS: ±.030" [±0.8mm]
HARDWARE ITEMS: ±.010" [±0.25mm]



VTE Incorporated
5437 Robinson Road, P.O. Box 790
Pellston, Michigan 49769
Telephone: 1-800-527-9256, 231-539-8000
FAX: 231-539-0914

REF:	DATE:	DRN BY:	JC	WEIGHT:
CUSTOMER DIMS	03-24-98	CHK'D BY:	JC	.033 LBS [15.1 g]
TITLE: TERMINAL INSULATOR CAP				
MATERIAL:	PVC	PART NO:	226N2F02	
COLOR:	RED	DRG CLASS	REV C	