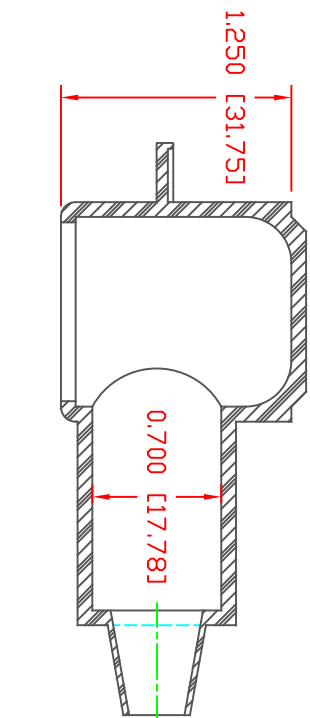
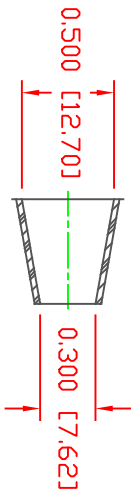
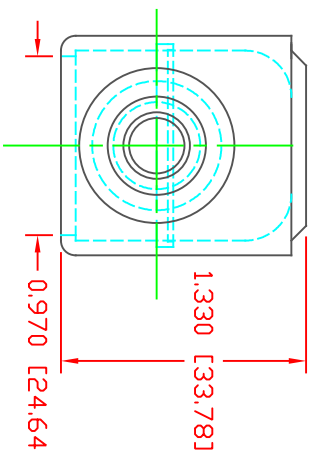


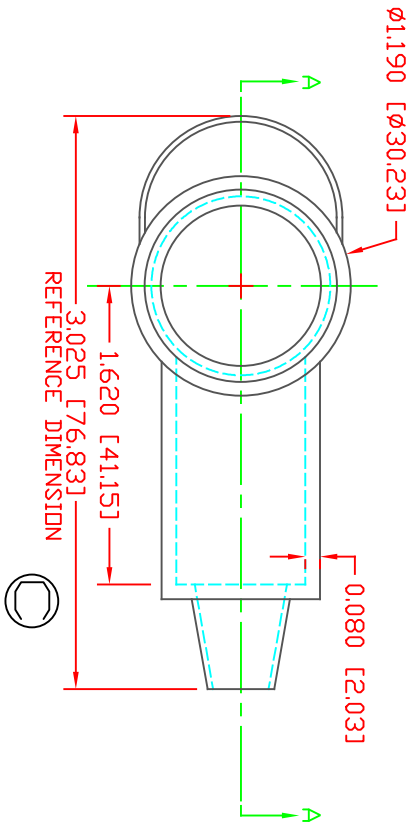
THE INFORMATION CONTAINED IN THIS DRAWING IS THE SOLE PROPERTY OF VTE INCORPORATED. ANY REPRODUCTION IN PART OR WHOLE WITHOUT THE WRITTEN PERMISSION OF VTE INCORPORATED IS PROHIBITED. VTE MAKES NO WARRANTY, EXPRESSED OR IMPLIED, AS TO THE SUITABILITY OF A PRODUCT FOR ANY INTENDED USE. THE CUSTOMER SHALL BEAR THE SOLE RESPONSIBILITY OF DETERMINING THE SUITABILITY OF ANY VTE PRODUCT FOR ITS END USE.



SECTION A-A  
TYP. WALL THICKNESS = .080" [2.0]  
SEAL NO. 2 SHOWN



SEAL THICKNESS = .030" [.8]  
ND. 2  
Cable Gages  
8 - 2

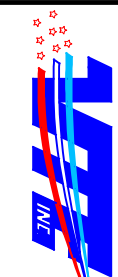


VTE PART NO: 1101700114  
MATERIAL: PVC  
VENDOR PART NO: 7843-70-BLACK  
SHORE DUREMETER: "A" 10 SEC. 70  
SPECIFIC GRAVITY: 1.34  
ULT. ELONGATION %: 350  
MELTING TEMP: 320-340 F [160-171 C]  
BRITTLE TEMP: -22 F [-30 C]  
Tensile Strength PSI: 1500  
Dielectric Strength, v./mil: 500  
UL Rating: V0

DD NOT SCALE

LR	REVISIONS	DATE	INT.
Δ	ADDED REFERENCE DIMENSION	02-25-16	RAS
⊞	UPDATED BLUE MATERIAL INFORMATION	08-01-22	RAS
C	3.025 [76.83] WAS 3.107 [78.92]	11-18-24	RAS

ALL DIMENSIONS GIVEN AS: In [mm]  
MOLDED PARTS: ±.030" [±0.8mm]  
HARDWARE ITEMS: ±.010" [±0.25mm]



VTE Incorporated  
5437 Robinson Road, P.O. Box 790  
Pellston, Michigan 49769  
Telephone: 1-800-527-9256, 231-539-8000  
FAX: 231-539-0914

REF:	DATE:	DRN BY:	JC	WEIGHT:
CUSTOMER DIMS	03-24-98	CHK'D BY:	JC	.033 LBS [15.1 g]
TITLE: TERMINAL INSULATOR CAP				
MATERIAL:	PVC	PART NO:	226N2F14	
COLOR: BLACK	DRG CLASS	REV C		