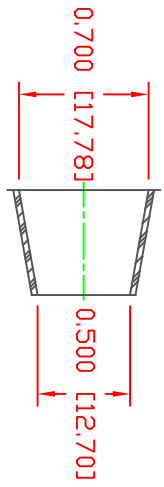
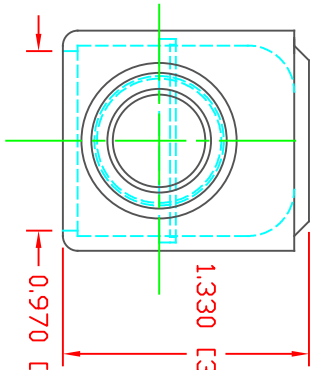
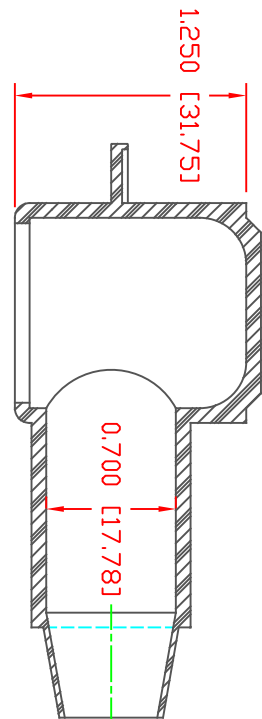


THE INFORMATION CONTAINED IN THIS DRAWING IS THE SOLE PROPERTY OF VTE INCORPORATED. ANY REPRODUCTION IN PART OR WHOLE WITHOUT THE WRITTEN PERMISSION OF VTE INCORPORATED IS PROHIBITED. VTE MAKES NO WARRANTY, EXPRESSED OR IMPLIED, AS TO THE SUITABILITY OF A PRODUCT FOR ANY INTENDED USE. THE CUSTOMER SHALL BEAR THE SOLE RESPONSIBILITY OF DETERMINING THE SUITABILITY OF ANY VTE PRODUCT FOR ITS END USE.

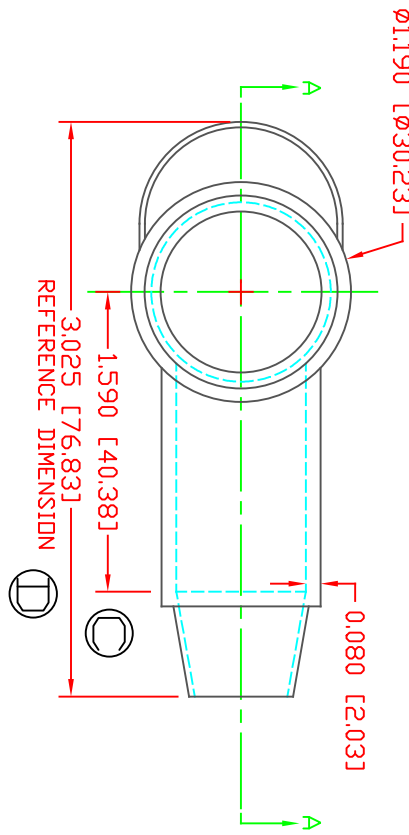
LR	REVISIONS	DATE	INT.
A	ADDED REFERENCE DIMENSION	02-25-16	RAS
B	UPDATED BLUE MATERIAL INFORMATION	08-01-22	RAS
C	1.590 [40.38] WAS 1.620 [41.15]	11-18-24	RAS
D	3.025 [76.83] WAS 3.107 [78.92]	11-18-24	RAS



SECTION A-A
 TYP. WALL THICKNESS = .080" [2.0]

SEAL THICKNESS = .030" [.8]


ND 3
 Cable Gauges
 2 - 2/0



ALL DIMENSIONS GIVEN AS: In [mm]
 MOLDED PARTS: ±.030" [±0.8mm]
 HARDWARE ITEMS: ±.010" [±0.25mm]

VTE PART NO: 1101700102
 MATERIAL: PVC
 VENDOR PART NO: 7843-70-RED 6288
 SHORE DUREMETER: 70
 SPECIFIC GRAVITY: 1.34
 ULT. ELONGATION %: 350
 MELTING TEMP: 320-340 F [160-171 C]
 BRITTLE TEMP: -22 F [-30 C]
 Tensile Strength PSI: 1550
 Dielectric Strength, v./mil: 553
 UL Rating: V0

DD NOT SCALE



VTE Incorporated
 5437 Robinson Road, P.O. Box 790
 Pellston, Michigan 49769
 Telephone: 1-800-927-9256, 231-539-8000
 FAX: 231-539-0914

REF	DATE	DRN BY	JC	WEIGHT
CUSTOMER DIMS	03-24-98	CHK'D BY	JC	.033 LBS [15.1 g]
TITLE: TERMINAL INSULATOR CAP				
MATERIAL: PVC		PART NO: 226N3F02		
COLOR: RED	DRG CLASS	REV D		