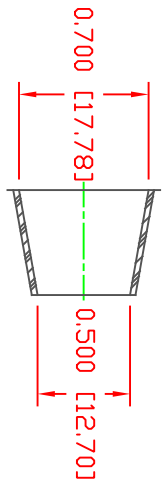
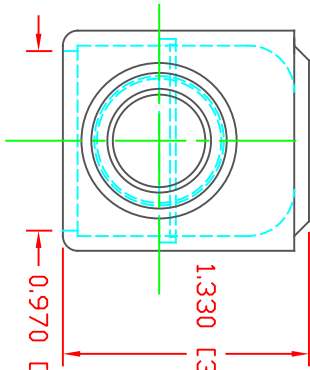
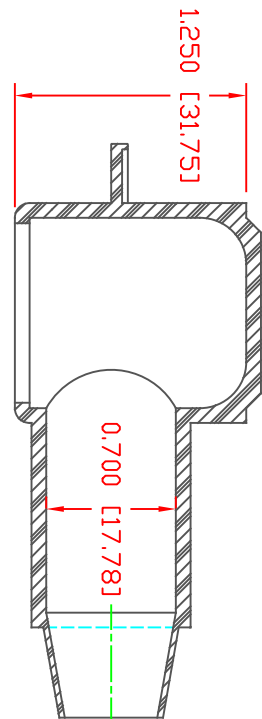


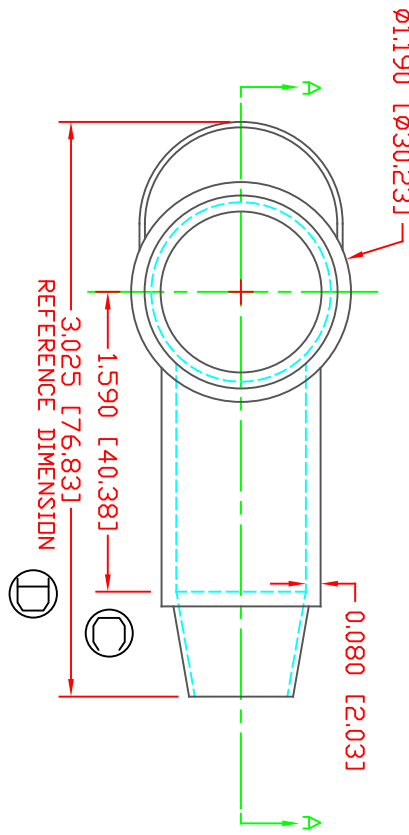
THE INFORMATION CONTAINED IN THIS DRAWING IS THE SOLE PROPERTY OF VTE INCORPORATED. ANY REPRODUCTION IN PART OR WHOLE WITHOUT THE WRITTEN PERMISSION OF VTE INCORPORATED IS PROHIBITED. VTE MAKES NO WARRANTY, EXPRESSED OR IMPLIED, AS TO THE SUITABILITY OF A PRODUCT FOR ANY INTENDED USE. THE CUSTOMER SHALL BEAR THE SOLE RESPONSIBILITY OF DETERMINING THE SUITABILITY OF ANY VTE PRODUCT FOR ITS END USE.

LR	REVISIONS	DATE	INT.
A	ADDED REFERENCE DIMENSION	02-25-16	RAS
B	UPDATED BLUE MATERIAL INFORMATION	08-01-22	RAS
C	1.590 [40.38] WAS 1.620 [41.15]	11-18-24	RAS
D	3.025 [76.83] WAS 3.107 [78.92]	11-18-24	RAS



SECTION A-A  
 TYP. WALL THICKNESS = .080" [2.0]

SEAL THICKNESS = .030" [.8]  
 ND 3  
 Cable Gauges  
 2 - 2/0



VTE PART NO: 7203640102  
 MATERIAL: SANTOPRENE 201-64  
 VENDOR PART NO: TPE AES 201-64 NAT SANTOPRENE  
 SHORE DUREMETER: "A" 15 SEC. 69  
 SPECIFIC GRAVITY: .97  
 ULT. ELONGATION %: 450  
 MELTING TEMP: 380-450 F [193-232 C]  
 BRITTLE TEMP: -76 F [-60 C]  
 TENSILE STRENGTH PSI: 1020  
 DIELECTRIC STRENGTH, v./mil: 750  
 UL RATING: HB

ALL DIMENSIONS GIVEN AS: In [mm]  
 MOLDED PARTS: ±.030" [±0.8mm]  
 HARDWARE ITEMS: ±.010" [±0.25mm]



VTE Incorporated  
 5437 Robinson Road, P.O. Box 790  
 Pellston, Michigan 49769  
 Telephone: 1-800-927-9256, 231-539-8000  
 FAX: 231-539-0914

REF:	DATE:	DRN BY:	JC	WEIGHT:
CUSTOMER DIMS	03-24-98	CHK'D BY:	JC	.033 LBS [15.1 g]
TITLE: TERMINAL INSULATOR CAP				
MATERIAL:	SANTOPRENE	PART NO: 226N3T02		
COLOR:	RED	DRG CLASS	REV D	

DD NOT SCALE