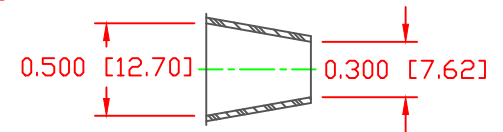
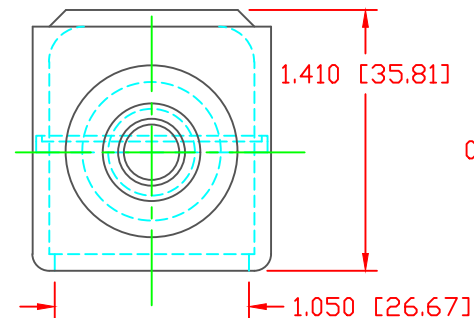
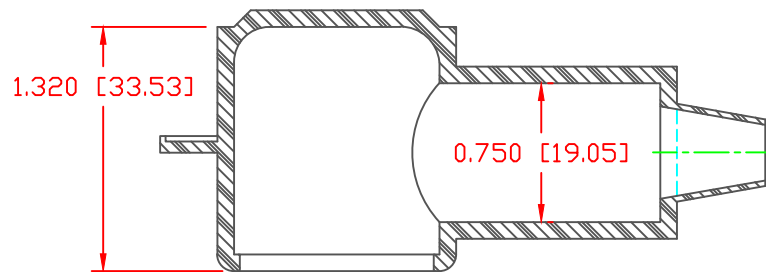


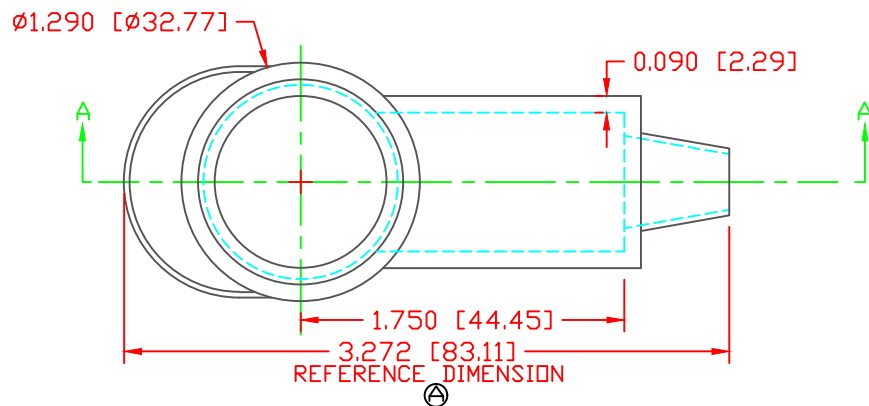
THE INFORMATION CONTAINED IN THIS DRAWING IS THE SOLE PROPERTY OF VTE INCORPORATED. ANY REPRODUCTION IN PART OR WHOLE WITHOUT THE WRITTEN PERMISSION OF VTE INCORPORATED IS PROHIBITED. VTE MAKES NO WARRANTY, EXPRESSED OR IMPLIED, AS TO THE SUITABILITY OF A PRODUCT FOR ANY INTENDED USE. THE CUSTOMER SHALL BEAR THE SOLE RESPONSIBILITY OF DETERMINING THE SUITABILITY OF ANY VTE PRODUCT FOR ITS END USE.

| LTR. | REVISIONS                 | DATE     | INT. |
|------|---------------------------|----------|------|
| △    | ADDED REFERENCE DIMENSION | 02-25-16 | RAS  |



SECTION A-A  
 TYP. WALL THICKNESS = .090" [2.3]  
 SEAL NO. 2 SHOWN


SEAL THICKNESS = .030" [0.8]  
 NO. 2  
 Cable Gages  
 8 - 2



ALL DIMENSIONS GIVEN AS: in [mm]  
 MOLDED PARTS: ±.030" [±0.8mm]  
 HARDWARE ITEMS: ±.010" [±0.25mm]

|                              |                       |
|------------------------------|-----------------------|
| VTE PART NO:                 | 1101700102            |
| MATERIAL:                    | PVC                   |
| VENDOR PART NO:              | 7843-70-RED 6288      |
| SHORE DUROMETER:             | "A" 10 SEC. 70        |
| SPECIFIC GRAVITY:            | 1.34                  |
| ULT. ELONGATION %:           | 350                   |
| MELTING TEMP:                | 320-340 F [160-171 C] |
| BRITTLE TEMP:                | -22 F [-30 C]         |
| Tensile Strength PSI:        | 1550 PSI              |
| Dielectric Strength, v./mil: | 553                   |
| U.L. Rating:                 | V0                    |

DO NOT SCALE

|   |          |   |                 |
|---|----------|---|-----------------|
|  |          | <b>VTE Incorporated</b><br>5437 Robinson Road, P.O. Box 790<br>Pellston, Michigan 49769<br>Telephone: 1-800-527-9256, 231-539-8000<br>FAX: 231-539-0914 |                 |
|   |          | REF:  | DATE:           |
| CUSTOMER DIMS   | 03-24-98 | CHK'D BY: JC  | .042 LBS [19 g] |
| TITLE: TERMINAL INSULATOR CAP   |          |   |                 |
| MATERIAL: PVC   |          | PART NO.  |                 |
| COLOR: RED  |          | 228N2F02  |                 |
| DRG CLASS   |          | REV A   |                 |