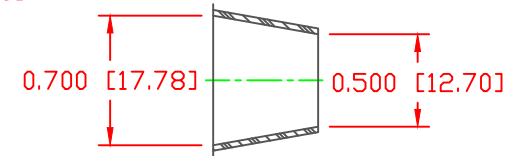
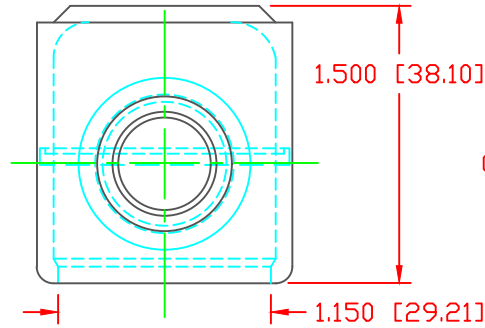
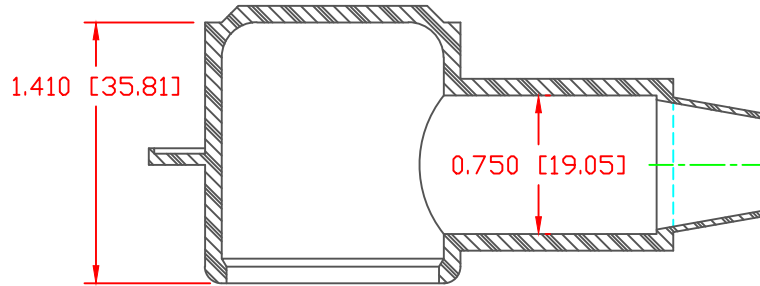


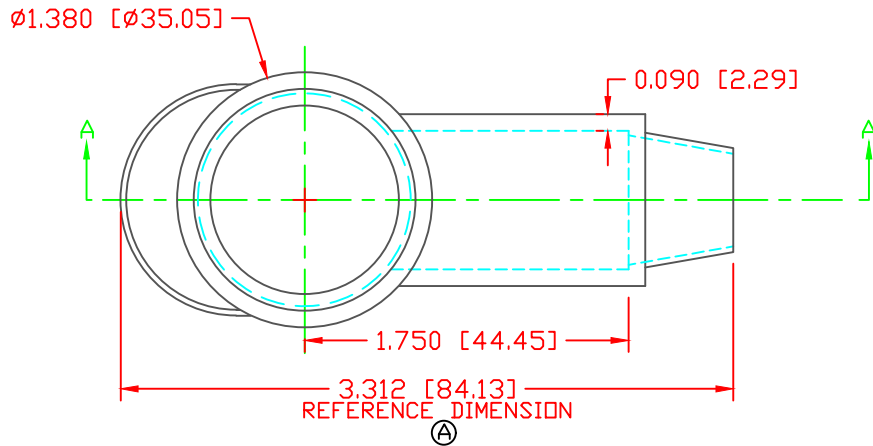
THE INFORMATION CONTAINED IN THIS DRAWING IS THE SOLE PROPERTY OF VTE INCORPORATED. ANY REPRODUCTION IN PART OR WHOLE WITHOUT THE WRITTEN PERMISSION OF VTE INCORPORATED IS PROHIBITED. VTE MAKES NO WARRANTY, EXPRESSED OR IMPLIED, AS TO THE SUITABILITY OF A PRODUCT FOR ANY INTENDED USE. THE CUSTOMER SHALL BEAR THE SOLE RESPONSIBILITY OF DETERMINING THE SUITABILITY OF ANY VTE PRODUCT FOR ITS END USE.

| LTR. | REVISIONS | DATE | INT. |
|------|---------------------------|----------|------|
| △ | ADDED REFERENCE DIMENSION | 02-25-16 | RAS |



SECTION A-A
 TYP. WALL THICKNESS = .090" [2.3]
 SEAL NO. 3 SHOWN

SEAL THICKNESS = .030" [.8]
 NO. 3
 Cable Gages
 2 - 2/0



ALL DIMENSIONS GIVEN AS: in [mm]
 MOLDED PARTS: ±.030" [±0.8mm]
 HARDWARE ITEMS: ±.010" [±0.25mm]

| | |
|------------------------------|-------------------|
| PREFERRED VENDOR: | SYLVIN |
| PART NO: | 1101700109 |
| MATERIAL: | BLUE PVC |
| VENDOR PART NO: | 9067-70 BLUE 1812 |
| SPECIFIC GRAVITY: | 1.36 |
| HARDNESS 10 SEC: | 70 |
| HARDNESS SCALE: | A |
| TENSILE STRENGTH, PSI: | 1100 |
| ELONGATION, %: | 310 |
| TEAR STRENGTH, PPI: | 200 |
| FLAME CLASS UL: | HB |
| MELT TEMP., DEGREES F [C]: | 320-340 [160-171] |
| DIELECTRIC STRENGTH, V./MIL: | N/A |

DO NOT SCALE



VTE Incorporated
 5437 Robinson Road, P.O. Box 790
 Pellston, Michigan 49769
 Telephone: 1-800-527-9256, 231-539-8000
 FAX: 231-539-0914

| | | | |
|-------------------------------|---------|--------------|-------------------|
| REF: | DATE: | DRN BY: JC | WEIGHT: |
| CUSTOMER DIMS | 3-24-98 | CHK'D BY: JC | .045 LBS [20.4 g] |
| TITLE: TERMINAL INSULATOR CAP | | | |
| MATERIAL: PVC | | PART NO. | |
| COLOR: BLUE | | 230N3V09 | |
| DRG CLASS REV A | | | |