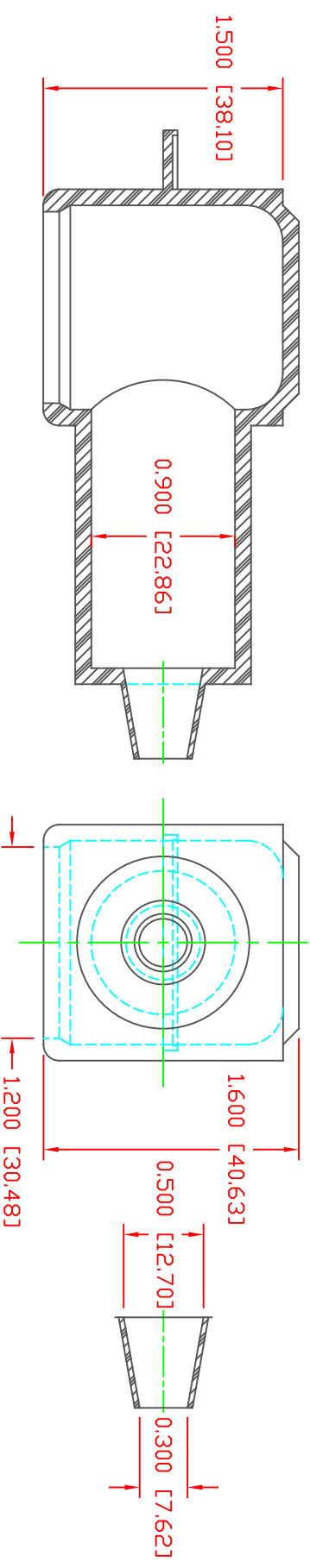
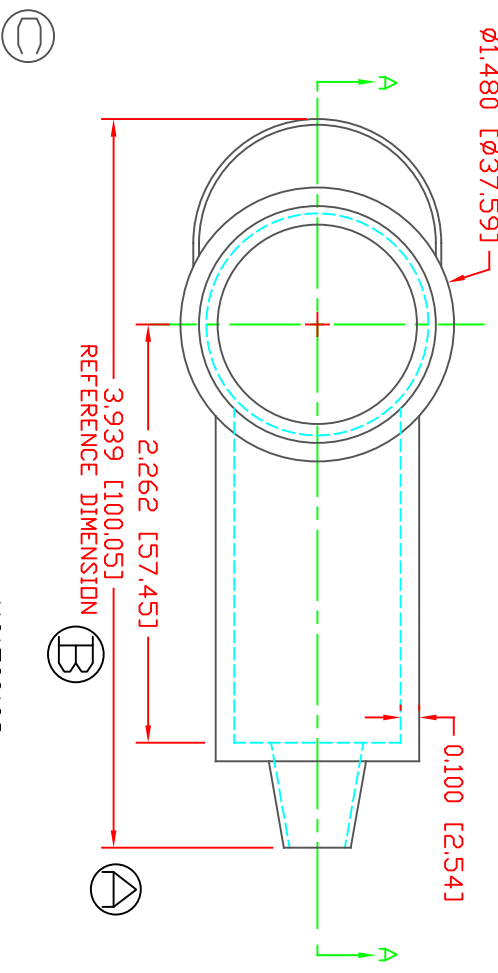


THE INFORMATION CONTAINED IN THIS DRAWING IS THE SOLE PROPERTY OF VTE INCORPORATED. ANY REPRODUCTION IN PART OR WHOLE WITHOUT THE WRITTEN PERMISSION OF VTE INCORPORATED IS PROHIBITED. VTE MAKES NO WARRANTY, EXPRESSED OR IMPLIED, AS TO THE SUITABILITY OF A PRODUCT FOR ANY INTENDED USE. THE CUSTOMER SHALL BEAR THE SOLE RESPONSIBILITY OF DETERMINING THE SUITABILITY OF ANY VTE PRODUCT FOR ITS END USE.



SECTION A-A
 TYP. WALL THICKNESS = .100" [2.53]
 SEAL ND. 2 SHOWN

SEAL THICKNESS = .030" [.8]
 ND. 2
 Cable Gages
 8 - 2

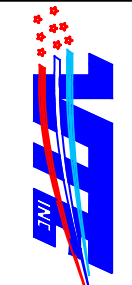


MATERIAL PART NO: 1101700109
 MATERIAL: BLUE PVC
 VENDOR PART NO: 7844-70 BLUE 1812
 SPECIFIC GRAVITY: 1.36
 HARDNESS 10 SEC: A
 HARDNESS SCALE: 1100
 TENSILE STRENGTH, PSI: 310
 ELONGATION, %: 200
 TEAR STRENGTH, PPI: HB
 FLAME CLASS UL: 320-340 [160-171]
 MELT TEMP., DEGREES F [C]: N/A
 DIELECTRIC STRENGTH, V./MIL: N/A

DD NOT SCALE

LR.	REVISIONS	DATE	INT.
A	UPDATED DIMENSION 100.1 WAS 103.1	12-05-12	JC
B	ADDED REFERENCE DIMENSION	02-25-16	RAS
C	UPDATED BLUE MATERIAL INFORMATION	08-01-22	RAS

ALL DIMENSIONS GIVEN AS: In [mm]
 MOLDED PARTS: ±.030" [±0.8mm]
 HARDWARE ITEMS: ±.010" [±0.25mm]



VTE Incorporated
 5437 Robinson Road, P.O. Box 790
 Pellston, Michigan 49769
 Telephone: 1-800-527-9256, 231-539-8000
 FAX: 231-539-0914

REF:	DATE:	DRN BY:	JC	WEIGHT:
CUSTOMER DIMS	03-25-98	CHK'D BY:	JC	.068 LBS [30.7 g]
TITLE: TERMINAL INSULATOR CAP				
MATERIAL:	PVC	PART NO: 232E2V09		
COLOR:	BLUE	DRG CLASS	REV C	