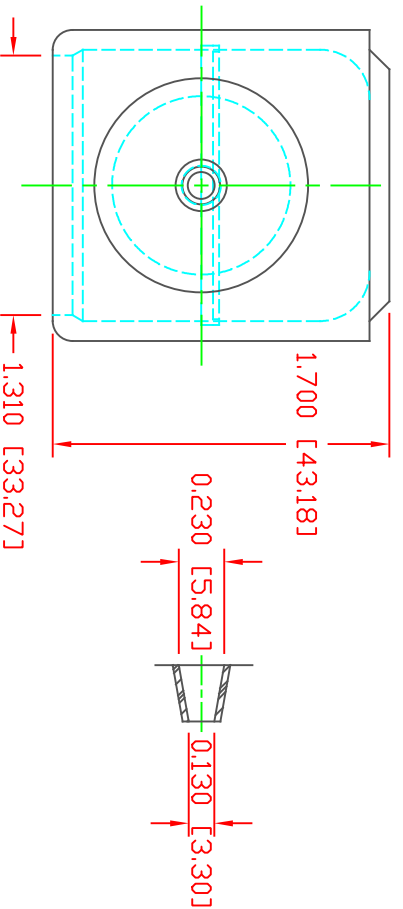
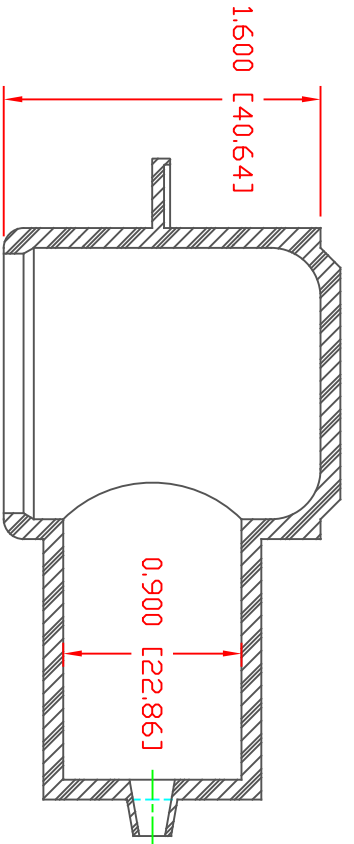


THE INFORMATION CONTAINED IN THIS DRAWING IS THE SOLE PROPERTY OF VTE INCORPORATED. ANY REPRODUCTION IN PART OR WHOLE WITHOUT THE WRITTEN PERMISSION OF VTE INCORPORATED IS PROHIBITED. VTE MAKES NO WARRANTY, EXPRESSED OR IMPLIED, AS TO THE SUITABILITY OF A PRODUCT FOR ANY INTENDED USE. THE CUSTOMER SHALL BEAR THE SOLE RESPONSIBILITY OF DETERMINING THE SUITABILITY OF ANY VTE PRODUCT FOR ITS END USE.

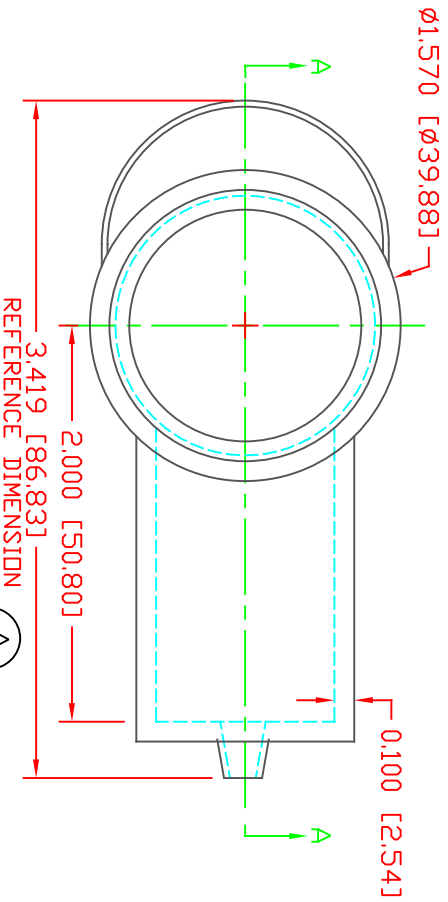
LTR	REVISIONS	DATE	INT.
△	ADDED REFERENCE DIMENSION	02-25-16	RAS
⊞	UPDATED BLUE MATERIAL INFORMATION	08-01-22	RAS



SECTION A-A  
TYP. WALL THICKNESS = .100" [2.51]  
SEAL NO. 1 SHOWN

SEAL THICKNESS = .030" .181

ND. 1  
Wire Gages  
18 - 10

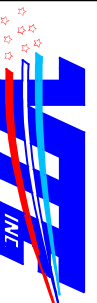


(B)

(A)

MATERIAL PART NO: 1101700109  
 MATERIAL: BLUE PVC  
 VENDOR PART NO: 7844-70 BLUE 1812  
 SPECIFIC GRAVITY: 1.36  
 HARDNESS 10 SEC: A  
 HARDNESS SCALE: 1100  
 TENSILE STRENGTH, PSI: 310  
 ELONGATION, %: 200  
 TEAR STRENGTH, PPI: HB  
 FLAME CLASS UL: 320-340 [160-171]  
 MELT TEMP., DEGREES F [C]: N/A  
 DIELECTRIC STRENGTH, V./MIL:

ALL DIMENSIONS GIVEN AS: In [mm]  
 MOLDED PARTS: ±.030" [±0.8mm]  
 HARDWARE ITEMS: ±.010" [±0.25mm]



VTE Incorporated  
 5437 Robinson Road, P.O. Box 790  
 Pellston, Michigan 49769  
 Telephone: 1-800-527-9256, 231-539-8000  
 FAX: 231-539-0914

REF:	DATE:	DRN BY:	JC	WEIGHT:
CUSTOMER DIMS	03-25-98	CHK'D BY:	JC	.067 LBS [30.2 g]

TITLE: TERMINAL INSULATOR CAP

MATERIAL: PVC

PART NO:

234N1V09

COLOR: BLUE

DRG CLASS

REV B

DD NDT SCALE