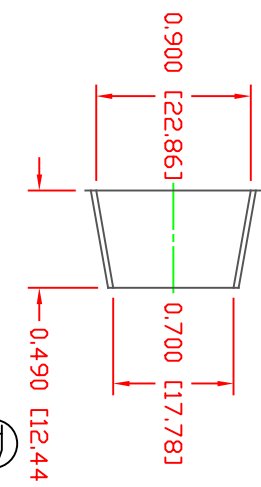
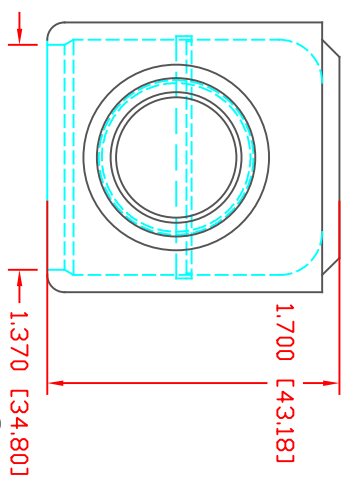
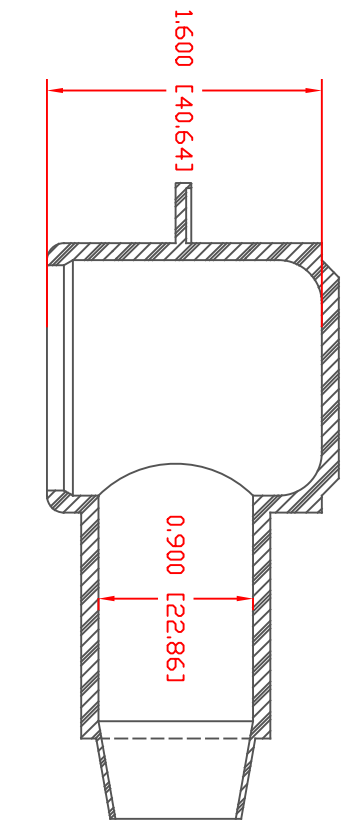


THE INFORMATION CONTAINED IN THIS DRAWING IS THE SOLE PROPERTY OF VTE INCORPORATED. ANY REPRODUCTION IN PART OR WHOLE WITHOUT THE WRITTEN PERMISSION OF VTE INCORPORATED IS PROHIBITED. VTE MAKES NO WARRANTY, EXPRESSED OR IMPLIED, AS TO THE SUITABILITY OF A PRODUCT FOR ANY INTENDED USE. THE CUSTOMER SHALL BEAR THE SOLE RESPONSIBILITY OF DETERMINING THE SUITABILITY OF ANY VTE PRODUCT FOR ITS END USE.

LTR	REVISIONS	DATE	INT.
⊲	ADDED REFERENCE DIMENSION	02-25-16	RAS
⊳	REVISED DIMENSION FROM 1.310 [33.27]	03-08-18	RAS
⊴	UPDATED CABLE GAUGES FROM 2/0 - 4/0	03-28-18	RAS
⊵	REVISED FROM 0.567 [14.40]	07-3-24	RAS

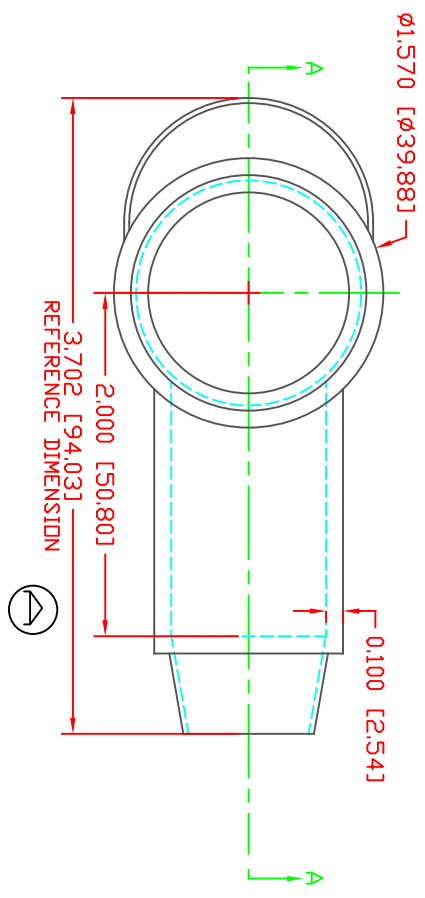


SECTION A-A  
TYP. WALL THICKNESS = .100" [2.5]

⊲

SEAL THICKNESS = .030" [.8]  
ND. 4  
Cable gauges  
3/0 - 4/0

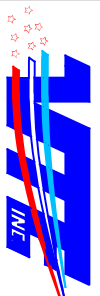
⊳



ALL DIMENSIONS GIVEN AS: In [mm]  
MOLDED PARTS: ±.030" [±0.8mm]  
HARDWARE ITEMS: ±.010" [±0.25mm]

MATERIAL PART NO: 1101700114  
MATERIAL: PVC  
VENDOR PART NO: 7843-70-BLACK  
SHORE DUREMETER: "A" 10 SEC. 70  
SPECIFIC GRAVITY: 1.34  
ULT. ELONGATION %: 350  
MELTING TEMP: 320-340 F [160-171 C]  
BRITTLE TEMP: -22 F [-30 C]  
Tensile Strength PSI: 1500 PSI  
Dielectric Strength, v./mil: 500  
UL Rating: V0

DO NOT SCALE



**VTE Incorporated**  
5437 Robinson Road, P.O. Box 790  
Pellston, Michigan 49769  
Telephone: 1-800-527-9256, 231-539-8000  
FAX: 231-539-0914

REF.	DATE:	DRN BY:	JC	WEIGHT:
CUSTOMER DIMS	03-25-98	CHK'D BY:	JC	.067 LBS [30.2 g]
TITLE:	TERMINAL INSULATOR CAP			
MATERIAL:	PVC		PART NO. 234N4F14	
COLOR:	BLACK		DRG CLASS REV D	