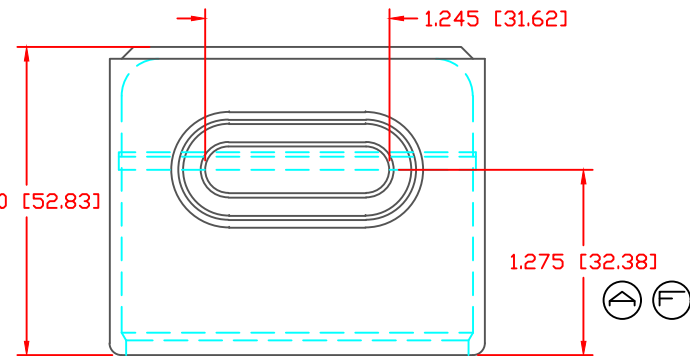
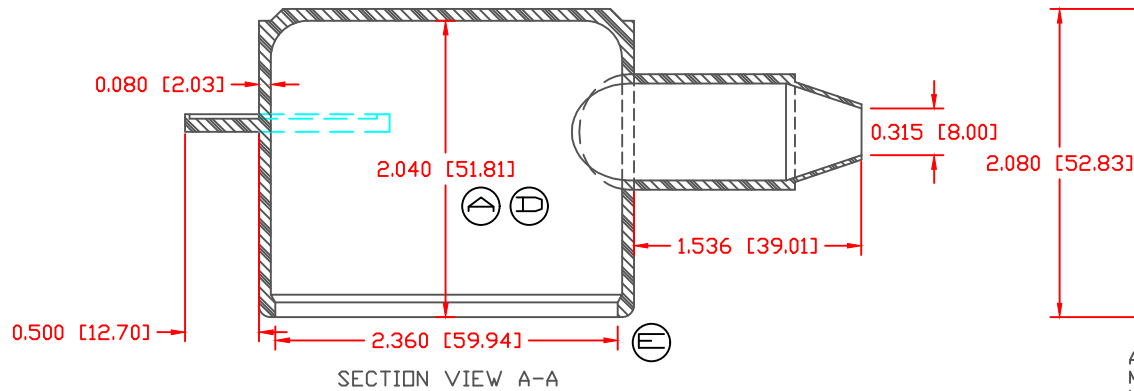
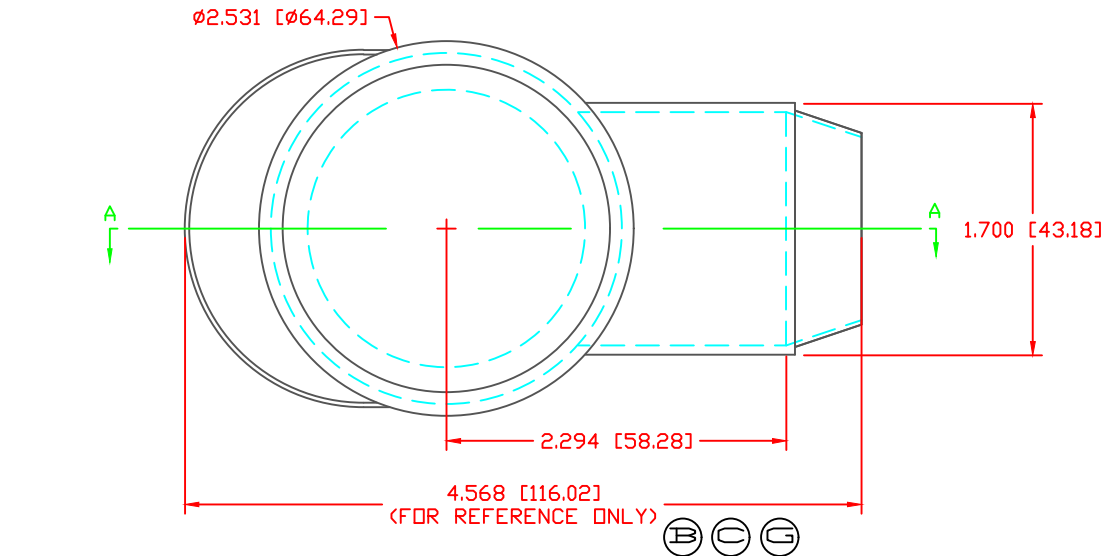


THE INFORMATION CONTAINED IN THIS DRAWING IS THE SOLE PROPERTY OF VTE INCORPORATED. ANY REPRODUCTION IN PART OR WHOLE WITHOUT THE WRITTEN PERMISSION OF VTE INCORPORATED IS PROHIBITED. VTE MAKES NO WARRANTY, EXPRESSED OR IMPLIED, AS TO THE SUITABILITY OF A PRODUCT FOR ANY INTENDED USE. THE CUSTOMER SHALL BEAR THE SOLE RESPONSIBILITY OF DETERMINING THE SUITABILITY OF ANY VTE PRODUCT FOR ITS END USE.

LTR.	REVISIONS	DATE	INT.
A	2.00" WAS 1.250", 1.250" WAS .660", ADDED FINGER TAB	10-09-03	BRH
B	REVISED DIMENSION FROM 4.567, ADDED (REFERENCE ONLY)	6-11-18	RAS
C	UPDATED DIMENSION FROM 4.400 [111.76]	8-23-18	RAS
D	UPDATED DIMENSION FROM 2.040 [51.81]	8-23-18	RAS
E	UPDATED DIMENSION FROM 2.311 [58.69]	8-23-18	RAS
F	UPDATED DIMENSION FROM 1.275 [32.38]	8-23-18	RAS
G	UPDATED DIMENSION FROM 4.500 [114.30]	1-6-22	RAS



ALL DIMENSIONS GIVEN AS: in [mm]
 MOLDED PARTS: ±.030" [±0.8mm]
 HARDWARE ITEMS: ±.010" [±0.25mm]

VTE PART NO:	1101700102
MATERIAL:	PVC
VENDOR PART NO:	7843-70-RED 6288
SHORE DUROMETER:	"A" 10 SEC, 70
SPECIFIC GRAVITY:	1.34
ULT. ELONGATION %:	350
MELTING TEMP:	320-340 F [160-171 C]
BRITTLE TEMP:	-22 F [-30 C]
Tensile Strength PSI:	1550 PSI
Dielectric Strength, v./mil	553
U.L. Rating:	V0

DO NOT SCALE



VTE Incorporated
 5437 Robinson Road, P.O. Box 790
 Pellston, Michigan 49769
 Telephone: 1-800-527-9256, 231-539-8000
 FAX: 231-539-0914

REF:	DATE:	DRN BY:	BRH	WEIGHT:
QA DIMS	09-16-03	CHK'D BY:	BRH	.097 LBS [43.9 g]
TITLE: TERMINAL INSULATOR CAP				
MATERIAL: PVC			PART NO.	
COLOR: RED			258N9F02	
DRG CLASS: REV G				