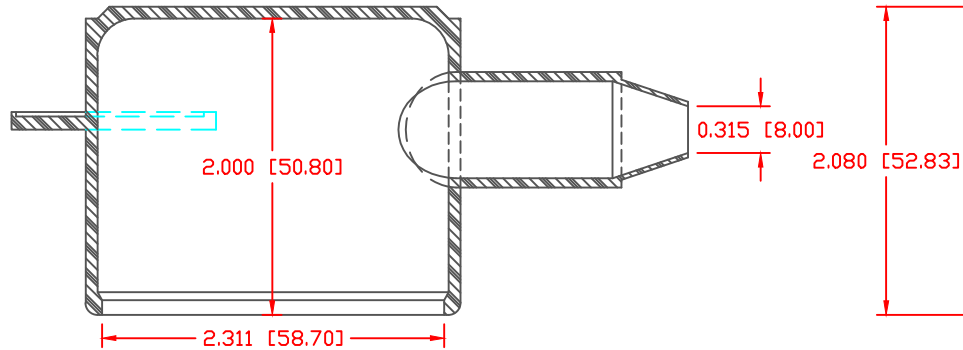
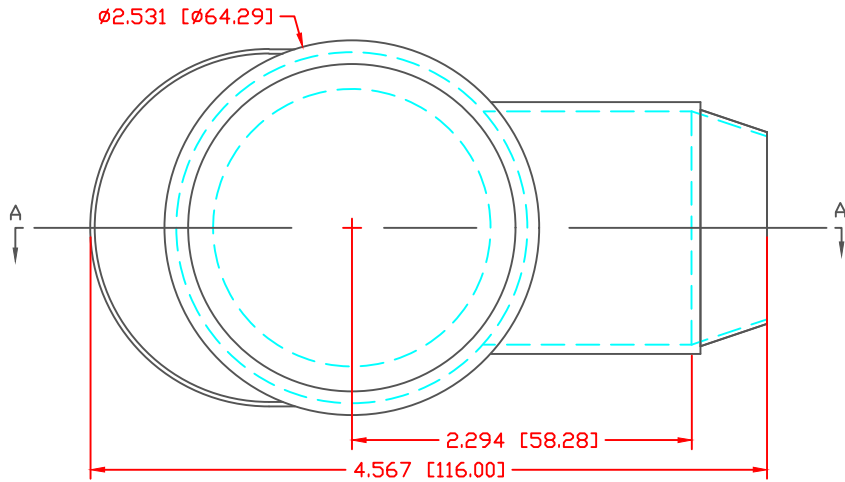
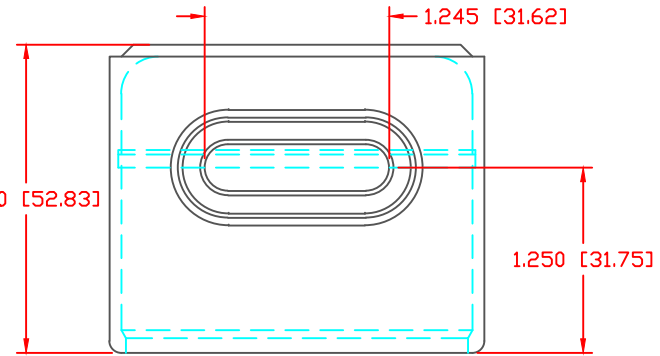


THE INFORMATION CONTAINED IN THIS DRAWING IS THE SOLE PROPERTY OF VTE INCORPORATED. ANY REPRODUCTION IN PART OR WHOLE WITHOUT THE WRITTEN PERMISSION OF VTE INCORPORATED IS PROHIBITED. VTE MAKES NO WARRANTY, EXPRESSED OR IMPLIED, AS TO THE SUITABILITY OF A PRODUCT FOR ANY INTENDED USE. THE CUSTOMER SHALL BEAR THE SOLE RESPONSIBILITY OF DETERMINING THE SUITABILITY OF ANY VTE PRODUCT FOR ITS END USE.

LTR.	REVISIONS	DATE	INT.
△	2.00" WAS 1.250", 1.250" WAS .660", ADDED FINGER TAB	10-09-03	BRH




SECTION VIEW A-A



PREFERRED VENDOR:	SYLVIN
PART NO:	1101700109
MATERIAL:	BLUE PVC
VENDOR PART NO:	9067-70 BLUE 1812
SPECIFIC GRAVITY:	1.36
HARDNESS 10 SEC:	70
HARDNESS SCALE:	A
TENSILE STRENGTH, PSI:	1100
ELONGATION, %:	310
TEAR STRENGTH, PPI:	200
FLAME CLASS UL:	HB
MELT TEMP., DEGREES F [C]:	320-340 [160-171]
DIELECTRIC STRENGTH, V./MIL:	N/A

ALL DIMENSIONS GIVEN AS: in [mm]  
 MOLDED PARTS: ±.030" [±0.8mm]  
 HARDWARE ITEMS: ±.010" [±0.25mm]

		<b>VTE Incorporated</b> 5437 Robinson Road, P.O. Box 790 Pellston, Michigan 49769 Telephone: 1-800-527-9256, 231-539-8000 FAX: 231-539-0914			
		REF:	DATE:	DRN BY:	BRH
CUSTOMER DIMS	09-16-03	CHK'D BY:	BRH	.097 LBS [43.9 g]	
TITLE: TERMINAL INSULATOR CAP					
MATERIAL: PVC				PART NO.	
COLOR: BLUE				258N9V09	
DRG CLASS		REV A			

DO NOT SCALE