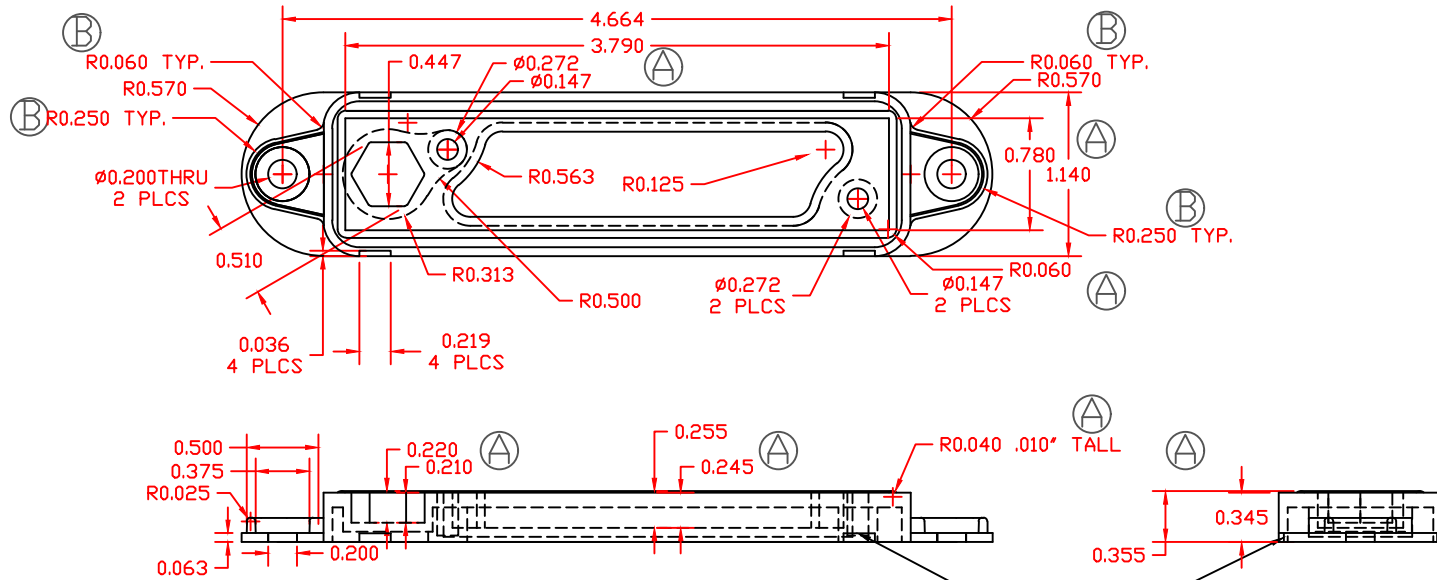


THE INFORMATION CONTAINED IN THIS DRAWING IS THE SOLE PROPERTY OF VTE INCORPORATED. ANY REPRODUCTION IN PART OR WHOLE WITHOUT THE WRITTEN PERMISSION OF VTE INCORPORATED IS PROHIBITED. VTE MAKES NO WARRANTY, EXPRESSED OR IMPLIED, AS TO THE SUITABILITY OF A PRODUCT FOR ANY INTENDED USE. THE CUSTOMER SHALL BEAR THE SOLE RESPONSIBILITY OF DETERMINING THE SUITABILITY OF ANY VTE PRODUCT FOR ITS END USE.

LTR.	REVISIONS	DATE	INT.
A	.355 WAS .315, .345 WAS .305, .255 WAS .215, .245 WAS .205, .220 WAS .180, .210 WAS .170 ADDED DIMENSIONS FOR FEATURE LINE ON FACE SURFACE	12AUG05	BRH
B	ADDED R. 0.060*4 PLCS, , R.0.250* WAS .500*	14JUN07	BRH
C	REVISED MATERIAL INFORMATION	07-17-18	RAS

## P/N 31225N05 BASEPLATE




NOTE ADDITION OF 4 NOTCHES (UNDERCUTS) FOR RETENTION OF SNAP-ON COVER (BY OTHERS)

SCALE FACTOR : NONE  
 ALL DIMENSIONS GIVEN AS: in [mm]  
 TOLERANCES UNLESS OTHERWISE SPECIFIED :  
 MOLDED PARTS:  $\pm 0.030$  [ $\pm 0.8$ mm]  
 HARDWARE ITEMS:  $\pm 0.010$  [ $\pm 0.25$ mm]

MATERIAL PART NO:  
 MATERIAL:  
 VENDOR PART NO:  
 SPECIFIC GRAVITY:  
 MELTING TEMP:  
 U.L. RATING:

7111210505  
 GLASS FILLED NYLON  
 NYLON N2015 HL NAT  
 1.23  
 515 F [268 C]  
 UL 94 HB

DO NOT SCALE



VTE Incorporated  
 5437 Robinson Road, P.O. Box 790  
 Pellston, Michigan 49769  
 Telephone: 1-800-527-9256, 231-539-8000  
 FAX: 231-539-0914

REF:	DATE:	DRN BY:	BRH	WEIGHT:
CUSTOMER DIMS	27JUN05	CHK'D BY:	BRH	19 G. / .042 LBS.
TITLE: 1/4" 12 WAY CONTACT BLOCK BASE				
MATERIAL: GLASS FILLED NYLON			PART NO.	
COLOR: YELLOW			31225N05	
DRG CLASS			REV C	