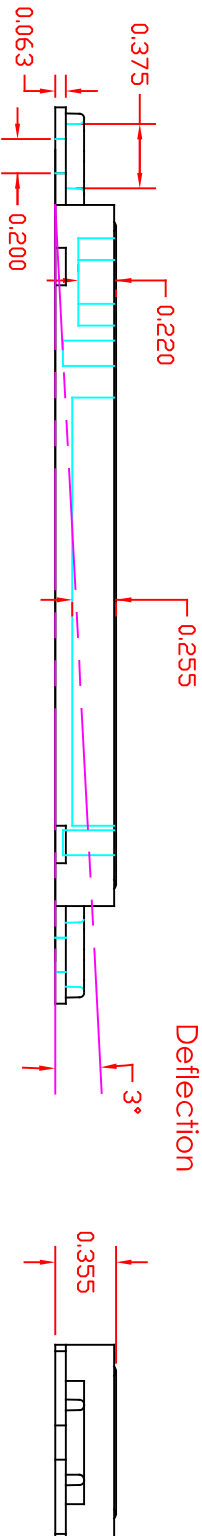
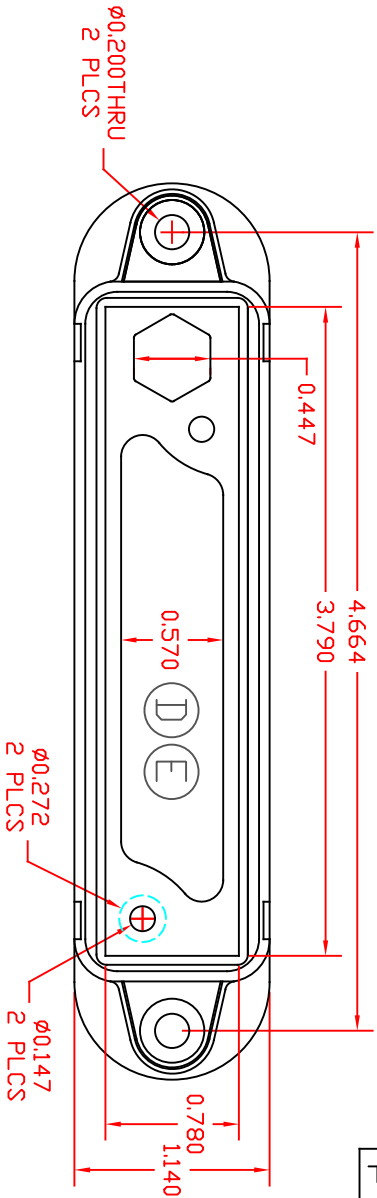


THE INFORMATION CONTAINED IN THIS DRAWING IS THE SOLE PROPERTY OF VTE INCORPORATED. ANY REPRODUCTION IN PART OR WHOLE WITHOUT THE WRITTEN PERMISSION OF VTE INCORPORATED IS PROHIBITED. VTE MAKES NO WARRANTY, EXPRESSED OR IMPLIED, AS TO THE SUITABILITY OF A PRODUCT FOR ANY INTENDED USE. THE CUSTOMER SHALL BEAR THE SOLE RESPONSIBILITY OF DETERMINING THE SUITABILITY OF ANY VTE PRODUCT FOR ITS END USE.



Maximum Allowable Deflection

SCALE FACTOR: 1, NONE
 ALL DIMENSIONS GIVEN AS: mm [in]
 TOLERANCES UNLESS OTHERWISE SPECIFIED:
 MOLDED PARTS: ±0.30° [±0.8mm]
 HARDWARE ITEMS: ±.010° [±0.25mm]

MATERIAL PART NO:
 MATERIAL:
 VENDOR PART NO:
 SPECIFIC GRAVITY:
 MELTING TEMP:
 U.L. RATING:

1111210514UL
 GLASS FILLED NYLON
 NYLON N2015 HL BK
 1.23
 515 F [268 C]
 UL 94 HB

LTR	REVISIONS	DATE	INT.
A	355 WAS 315, 345 WAS 305, 255 WAS 215, 245 WAS 205, 220 WAS 180, 210 WAS 170 ADDED DIMENSIONS FOR FEATURE LINE ON FACE SURFACE	12AUG05	BRH
B	ADDED R. 0.060" 4 PLCS, R.0.250" WAS .500"	14JUN07	BRH
C	REVISED MATERIAL INFORMATION	07-17-18	RAS
D	ADDED CRITICAL DIMENSION	04/21/22	RAS
E	0.570 WAS 0.595	5/19/23	RAS
F	ADDED "ALLOWABLE DEFLECTION" NOTE	8-19-24	RAS



VTE Incorporated
 5437 Robinson Road, P.O. Box 790
 Pellston, Michigan 49769
 Telephone: 1-800-527-9256, 231-539-8000
 FAX: 231-539-0914

REF:	DATE:	DRN BY:	BRH	WEIGHT:
	27 JUN05	CHK'D BY:	BRH	19 G. / .042 LBS.
TITLE: 1/4" 12 WAY CONTACT BLOCK BASE				
MATERIAL: GLASS FILLED NYLON			PART NO:	
COLOR: BLACK			31225N14	